

**CFT-36-BK, -BZ, -BN, -NB, CFT-48-BK, -BZ, -BN, -NB
CFT-60-BK, -BZ, -BN, -NB, CFT-72-BK, -BZ, -BN, -NB
Decorative Fronts**

**Models: MEZZO/CRAVE
Installation & Operating Instructions**



Leave this manual with party responsible for use and operation.

CAUTION! Risk of Cuts, Abrasions or Flying Debris.
Wear protective gloves and safety glasses during installation. Sheet metal edges are sharp.

! DANGER



**HOT GLASS WILL
CAUSE BURNS.**

**DO NOT TOUCH GLASS
UNTIL COOLED.**

**NEVER ALLOW CHILDREN
TO TOUCH GLASS.**

A barrier designed to reduce the risk of burns from the hot viewing glass is provided with this appliance and shall be installed for the protection of children and other at-risk individuals.

WARNING! Risk of Fire! Combustible materials MUST NOT overlap or be placed under a surround.

CAUTION! Do not install damaged components.

WARNING! Risk of Fire! DO NOT apply combustible materials beyond the minimum clearances. Comply with all minimum clearances to combustibles as specified. Overlapping materials could ignite and will interfere with proper operation of doors and louvers.

A. Finishing Material/Finishing Template

It's very important to know what kind of finishing material is going to be used on the fireplace. The CFT (clean face trim) decorative fronts are compatible with finishing materials from 0-4 inches. Refer to the appropriate section of this instruction for installation of front depending on thickness of finishing material.

The MEZZO and CRAVE models come with a finishing template installed. This template is not used with the CFT doors and must be removed before installing the decorative front. Remove the three screws that fasten the finishing template to the appliance.

Once the finishing template is removed, follow the instructions for finishing materials 0-1 inches thick or 1-4 inches thick.

Non-Combustible Finishing Materials 0-1 Inch Thick

Non-combustible finishing material, up to one inch thick, will be installed up to the bottom edge of the bottom access panel as shown in Figure 1.

The finishing material will also cover the rectangular holes. Refer to Figure 6 for the location of the rectangular holes.

Finishing materials 1 inch maximum thick.
Stop finishing material flush with fireplace surround opening.

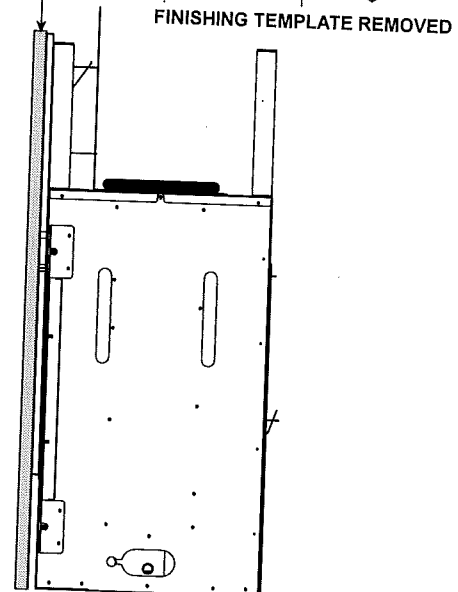
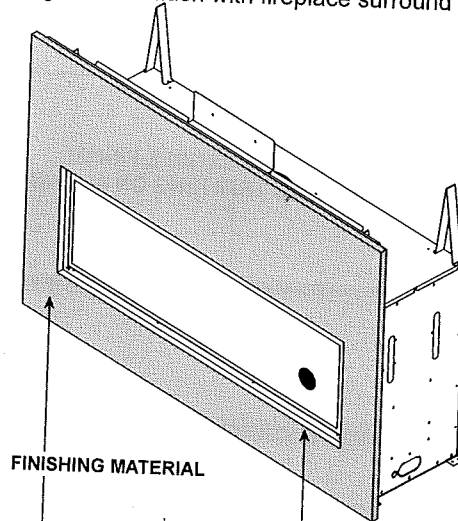


Figure 1. Inside Fit Decorative Front

Non-Combustible Finishing Materials 1-4 Inches Thick

The trim ring acts as a finishing template in this application. Non-combustible finishing material, one to four inches thick, will be installed up to the outside edges of the trim ring as shown in Figure 2. Note that the CFT decorative front is the only decorative front approved for MEZZO and CRAVE models that allows finishing material thickness to be greater than one inch.

The finishing material will also cover the rectangular holes. Refer to Figure 6 for the location of the rectangular holes.

1. Install the trim ring to the wall. See Section B for details regarding the installation of the trim ring.
2. Install non-combustible finishing material up to the outer edges of the trim ring as shown in Figure 2.

NOTICE: If finishing material extends past the inside opening of the trim ring, the decorative front will not fit on the appliance properly.

3. Install CFT front per the instructions in Section B.

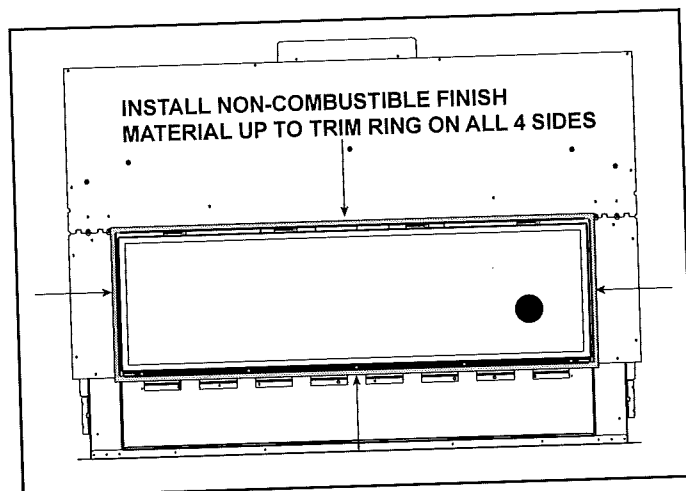


Figure 2. Install Non-Combustible Material

B. Door Preparation and Installation

1. Remove decorative front from the package.
2. Remove other components from package. Components included will depend on the front being installed. See Figure 3.
3. Check to make sure bottom vanity panel is in place.

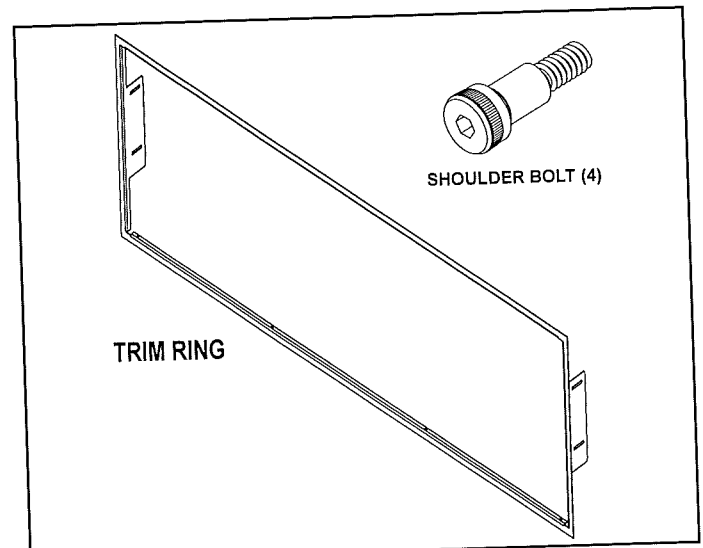


Figure 3. Shoulder Bolt & Trim Ring

4. MEZZO48/MEZZO48ST and CRAVE6048/CRAVE6048ST: Remove screw on top of appliance opening as shown in Figure 4. **See Through Appliances:** Remove 4 screws on bottom edge opposite of controls.

MEZZO60/MEZZO60ST, MEZZO72/MEZZO72ST, CRAVE7260/CRAVE7260ST and CRAVE8472/CRAVE8472ST: Remove two screws on top of appliance opening. See Figure 4. **See Through Appliances:** Remove 4 screws on bottom edge opposite of controls.

5. Place trim ring in place as shown in Figure 5.



Figure 4. Remove Screw from Top of Appliance Opening

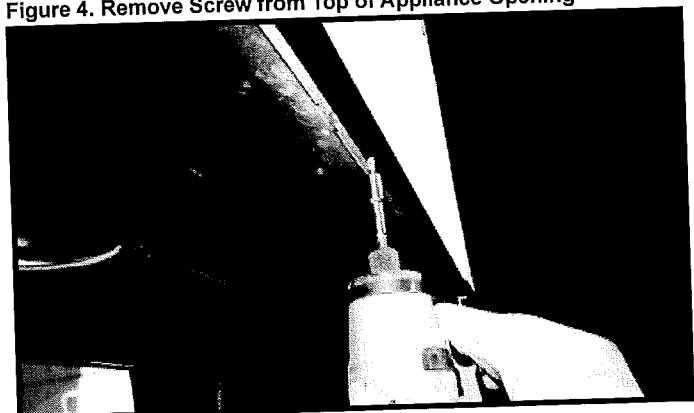


Figure 5. Install Trim Ring

6. Install four shoulder bolts into appliance through trim ring as shown in Figure 6 and Figure 7.

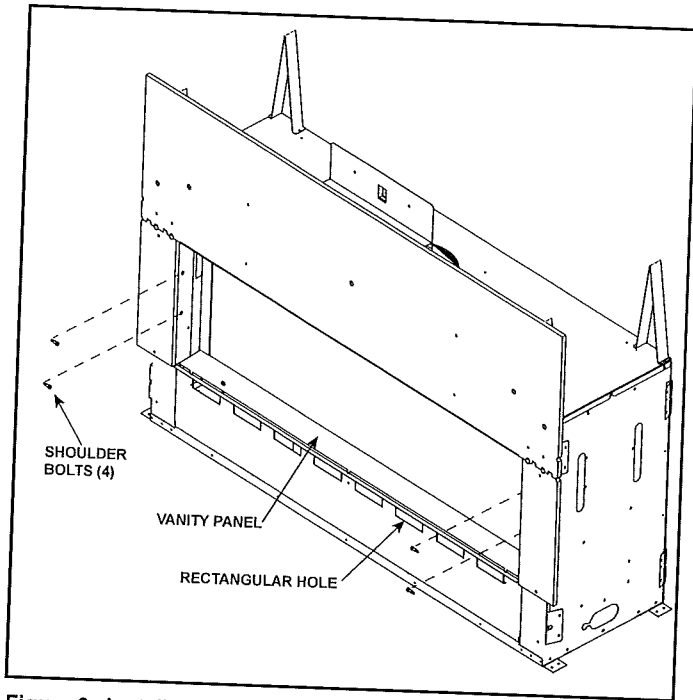


Figure 6. Install Shoulder Bolts

7. Install screws through trim ring into top and bottom of appliance opening. High temperature silicone (300°F minimum continuous exposure rating) may be used to adhere the trim ring to the finishing material if desired.

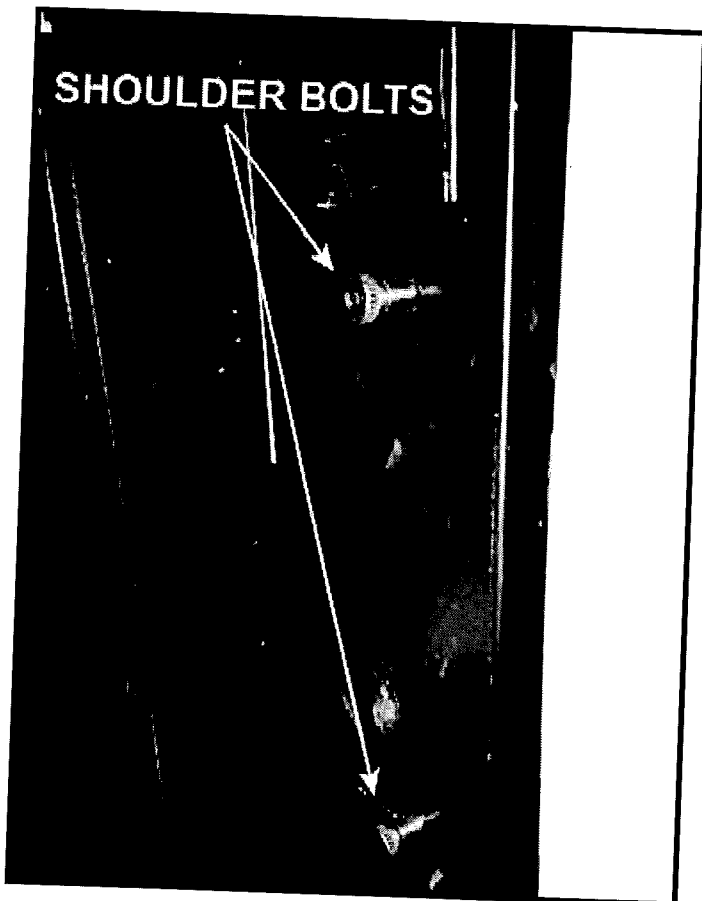


Figure 7. Shoulder Bolts Installed

8. If silicone is used to adhere trim ring to finishing material, screws used in Step 7 may be removed for clean look. Screws must be left in on bottom edge opposite of controls on SeeThrough appliances.
9. Hang the decorative front by aligning the slots on the bracket on the back of the decorative front with the four shoulder bolts now installed on the appliance. See Figure 8. Push decorative front toward the appliance until it is flush with the installed trim ring.

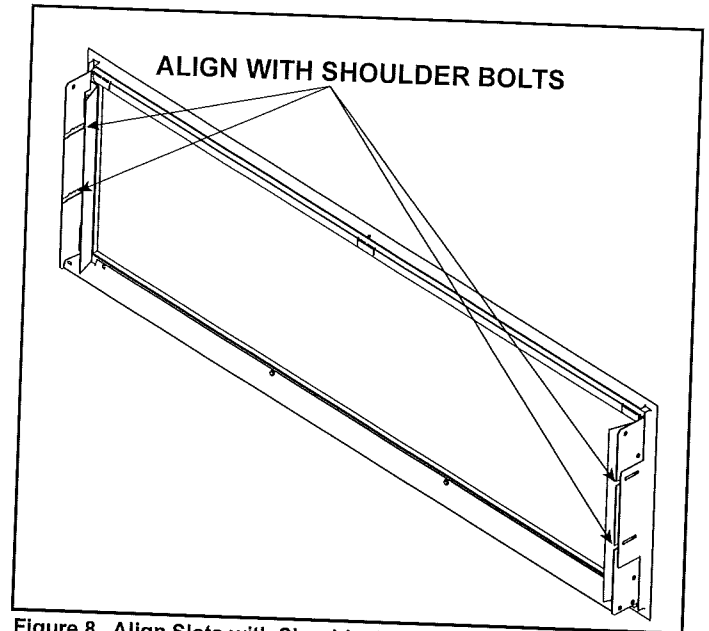


Figure 8. Align Slots with Shoulder Bolts

Cleaning Instructions for Decorative fronts

Use a microfiber cloth and Windex® Original Glass Cleaner or 03M003 Stove Bright® Glass Cleaner to clean the decorative front immediately after installation to remove acids deposited by the installer or technician. Spray the cleaner onto the microfiber cloth and carefully wipe the entire surface. The decorative front should be cleaned in this manner annually by the homeowner to remove fingerprints or other contaminants. Once oxidation of the paint pigment has occurred, cleaning will not restore the original color.

Please contact your Hearth & Home Technologies dealer with any questions or concerns.

For the location of your nearest
Hearth & Home Technologies dealer,
please visit www.hearthnhome.com.

Hearth & Home Technologies
7571 215th Street West, Lakeville, MN 55044
www.hearthnhome.com

