



FIREPLACE CORNER



5X

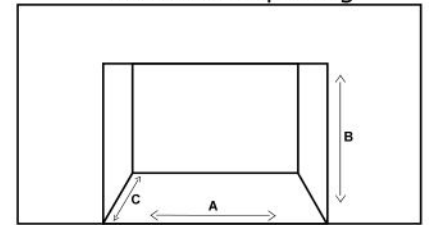
HEAT & GLO
BALANCED FLUE GAS FIREPLACE

5X BRICK SPECIFICATIONS

UNIT	WIDTH (A)	HEIGHT (B)	DEPTH (C)	GAS	POWER
HEAT & GLO - 5X	960 mm	850 mm	450 mm	BOTTOM LHS	BOTTOM RHS

NOTE: Looking at the cavity provide a crimped/capped-off copper gas line close to the bottom left hand side within the opening. Single non-switch GPO/413 socket to be provided close to bottom right hand side within opening.

Brickwork Opening

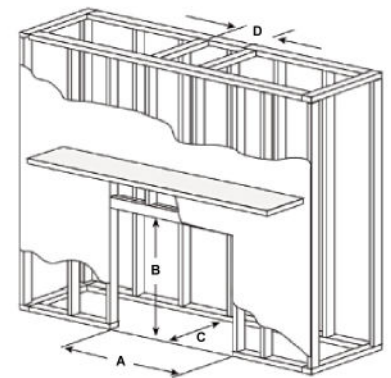
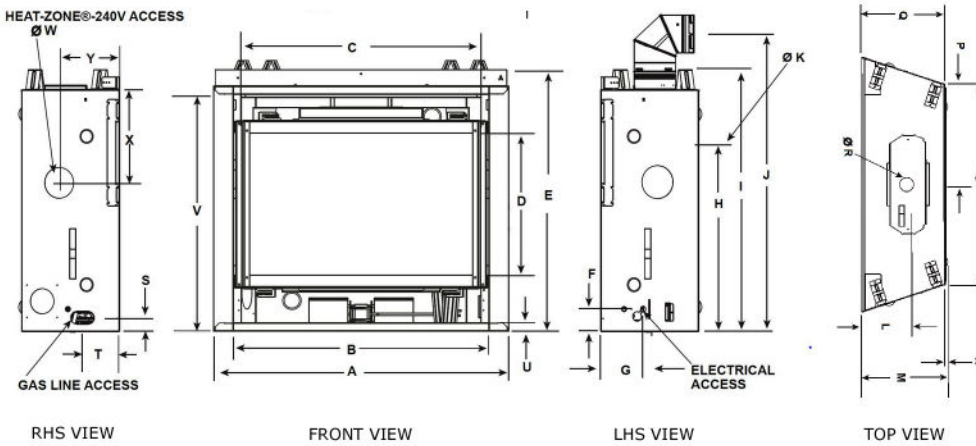


5X FRAMING SPECIFICATIONS

UNIT	WIDTH FRAMING - (A)	HEIGHT FRAMING (B)	DEPTH FRAMING - (C)	FLUE FRAMING - (D)	WIDTH ACTUAL	HEIGHT ACTUAL	DEPTH ACTUAL	MJH INPUT NG/LPG	KWH OUTPUT
5X	940 mm	885 mm	450 mm	SLP 219 mm	914 mm	873 mm	414 mm	25 NG 26 LPG	7.7 NG 7.2 LPG

NOTE: Looking at the cavity provide a crimped/capped-off copper gas line close to the bottom left hand side within the opening. Single non-switch GPO/413 socket to be provided close to bottom right hand side within opening.

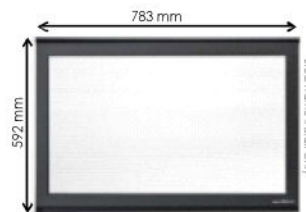
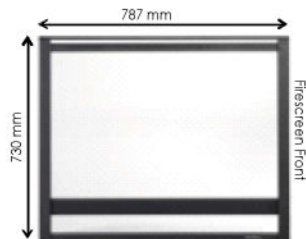
Framework Opening



PLEASE NOTE
Unit must be installed prior to drywall. Framework opening is greater than drywall opening.

A	B	C	D	E	F	G	H	I	J	K	L	M	N	O	P	Q	R	S	T	U	V	W	X	Y
914	791	691	459	840	90	175	594	873	926	203	224	414	13	654	327	403	168	56	152	25	764	127	356	232

Dimensions shown are in millimeters . Reference dimensions only. We recommend measuring individual units at installation. Assume the use of 10mm plaster. **NOTE:** combustible material should not be installed over the face. Make sure you do **NOT** cover the decorative door opening. Refer to installation manual for detailed specifications on installing this product. Heat & Glo reserve the right to update units periodically. The flame and ember appearance may vary based on the type of fuel burned and the venting configuration used. Pictures in this brochure are not the true representation of the fireplace and/or flames.



FEATURES:



Multi-function remote control allows adjustment of flame height, fan speed and more



IntelliFire Plus electronic ignition system eliminates the need for a standing pilot



LED Ember bed lighting



High definition log media



Balanced flue technology maintains optimum indoor air quality



Top or rear venting options provide installation flexibility



Available in natural gas and LPG



Zero clearance installation