



FIREPLACE CORNER



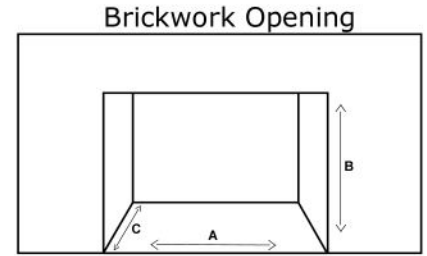
6X

HEAT & GLO
BALANCED FLUE GAS FIREPLACE

6X BRICK SPECIFICATIONS

UNIT	WIDTH (A)	HEIGHT (B)	DEPTH (C)	GAS	POWER
HEAT & GLO - 6X	1070 mm	950 mm	550 mm	BOTTOM LHS	BOTTOM RHS

NOTE: Looking at the cavity provide a crimped/capped-off copper gas line close to the bottom left hand side within the opening. Single non-switch GPO/413 socket to be provided close to bottom right hand side within opening.

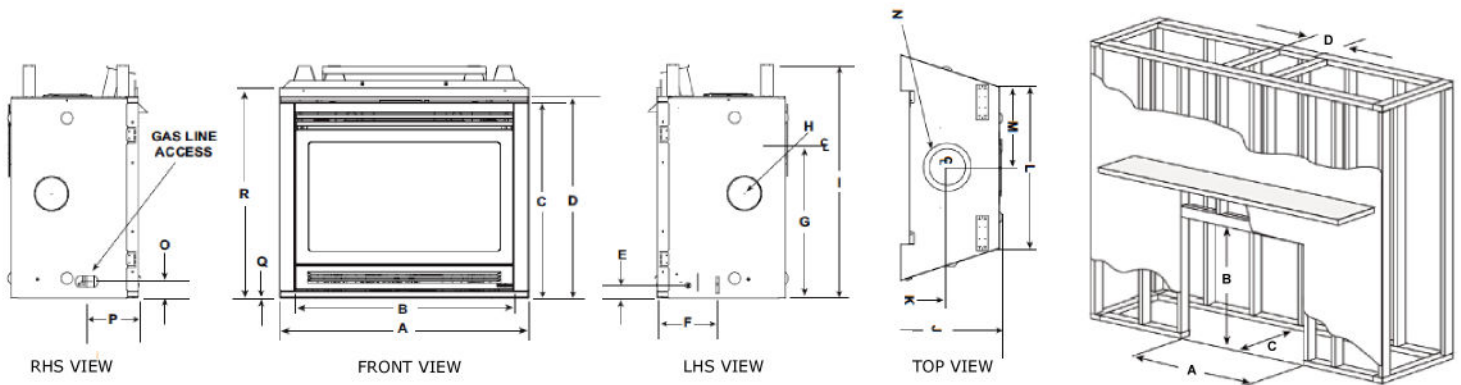


6X FRAMING SPECIFICATIONS

UNIT	WIDTH FRAMING - (A)	HEIGHT FRAMING (B)	DEPTH FRAMING - (C)	FLUE FRAMING - (D)	WIDTH ACTUAL	HEIGHT ACTUAL	DEPTH ACTUAL	MJH INPUT NG/LPG	KWH OUTPUT
6X	1070 mm	1020 mm	560 mm	DVP 254 mm	1041 mm	1013 mm	546 mm	40.6 NG 40.1 LPG	11.1 NG 11.1 LPG

NOTE: Looking at the cavity provide a crimped/capped-off copper gas line close to the bottom left hand side within the opening. Single non-switch GPO/413 socket to be provided close to bottom right hand side within opening.

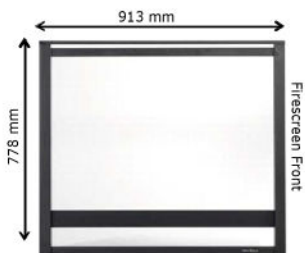
Framework Opening



PLEASE NOTE
Unit must be installed prior to drywall. Framework opening is greater than drywall opening.

A	B	C	D	E	F	G	H	I	J	K	L	M	N	O	P	Q	R	S	T
1041	918	851	879	57	246	683	152	1013	533	297	724	362	216	73	216	25	1038	360	391

Dimensions shown are in millimeters . Reference dimensions only. We recommend measuring individual units at installation. Assume the use of 10mm plaster. **NOTE:** combustible material should not be installed over the face. Make sure you do **NOT** cover the decorative door opening. Refer to installation manual for detailed specifications on installing this product. Heat & Glo reserve the right to update units periodically. The flame and ember appearance may vary based on the type of fuel burned and the venting configuration used. Pictures in this brochure are not the true representation of the fireplace and/or flames.



FEATURES:



Multi-function remote control allows adjustment of flame height, fan speed and more



IntelliFire Plus electronic ignition system eliminates the need for a standing pilot



LED Ember bed lighting



High definition log media



Balanced flue technology maintains optimum indoor air quality



Top or rear venting options provide installation flexibility



Anti reflective ceramic glass



Zero clearance installation