



FIREPLACE CORNER



**MEZZO
SERIES**

HEAT & GLO
BALANCED FLUE GAS FIREPLACE

BALANCED FLUE GAS FIREPLACE

The Heat & Glo balanced flue gas fireplace is a completely sealed system, drawing 100% of combustion air from the outdoors and exhausting all combustion byproducts back outside, whilst maintaining optimum indoor air quality. In addition, cold air drafts are eliminated and heat output is maximized. With the option of venting vertical or horizontal, even greater placement flexibility is possible, and the variable valve allows you to adjust the flame height and heat output.



MEZZO 1300

Displayed with Black Trim,
Logs & Crushed Glass



MEZZO 1600

Displayed with Black Trim,
Logs & Crushed Glass

MEDIA OPTIONS:



ICED FOG
GLASS



NATURAL
LOGS



CERAMIC
STONES

SURROUND OPTIONS:



BRUSHED
NICKEL



STANDARD
BLACK

FEATURES:



Multi-function remote control allows adjustment of flame height, fan speed and more



IntelliFire Plus electronic ignition system eliminates the need for a standing pilot



LED Ember bed lighting



High definition log media



Balanced flue technology maintains optimum indoor air quality



Top or rear venting options provide installation flexibility



High gloss black porcelain interior for a stunning internal effect



Available in natural gas and LPG

You have never experienced modern design like this!

Clean



Discreet



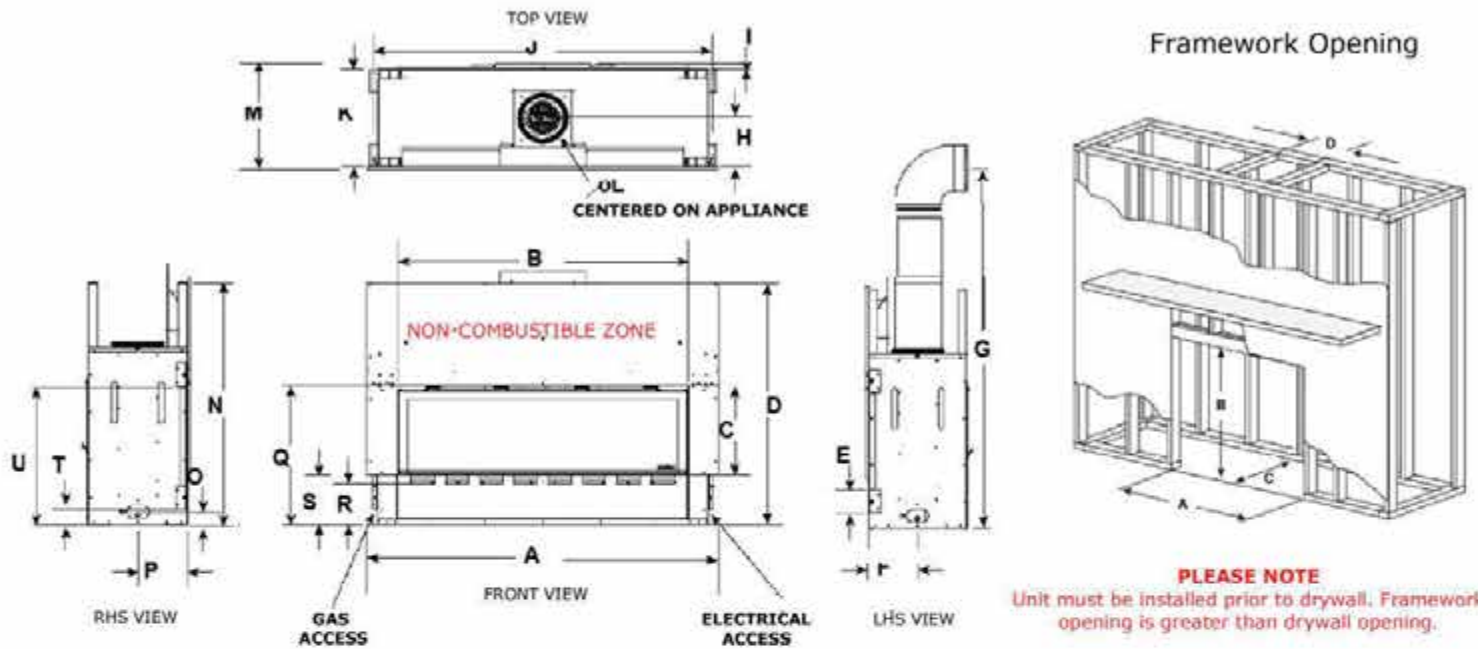
Luxurious

Disclaimer: All products are subject to availability and may change without notice.

1300 ST FRAMING SPECIFICATIONS

| UNIT | WIDTH FRAMING - (A) | HEIGHT FRAMING (B) | DEPTH FRAMING - (C) | FLUE FRAMING - (D) | VIEWING AREA | WIDTH ACTUAL | HEIGHT ACTUAL | DEPTH ACTUAL | MJH INPUT NG/LPG | KWH OUTPUT |
|---------|---------------------|--------------------|---------------------|--------------------|---------------|--------------|---------------|--------------|---------------------|-----------------------|
| 1300 ST | 1530 mm | 1067 mm | 432 mm | DVP 254 mm | 1207 x 318 mm | 1575 mm | 1080 mm | 460 mm | 43.6 NG 39.6 LPG | 12.12 NG 11.03 LPG |

NOTE: Looking at the cavity provide a crimped/capped-off copper gas line close to the bottom left hand side within the opening. Single non-switch GPO/413 socket to be provided close to bottom right hand side within opening.



| A | B | C | D | E | F | G | H | I | J | K | L | M | N | O | P | Q | R | S | T | U |
|------|------|-----|------|-----|-----|------|-----|----|------|-----|-----|-----|------|----|-----|-----|-----|-----|----|-----|
| 1575 | 1299 | 397 | 1080 | 102 | 217 | 1600 | 217 | 13 | 1524 | 432 | 203 | 460 | 1060 | 60 | 217 | 622 | 184 | 225 | 70 | 603 |

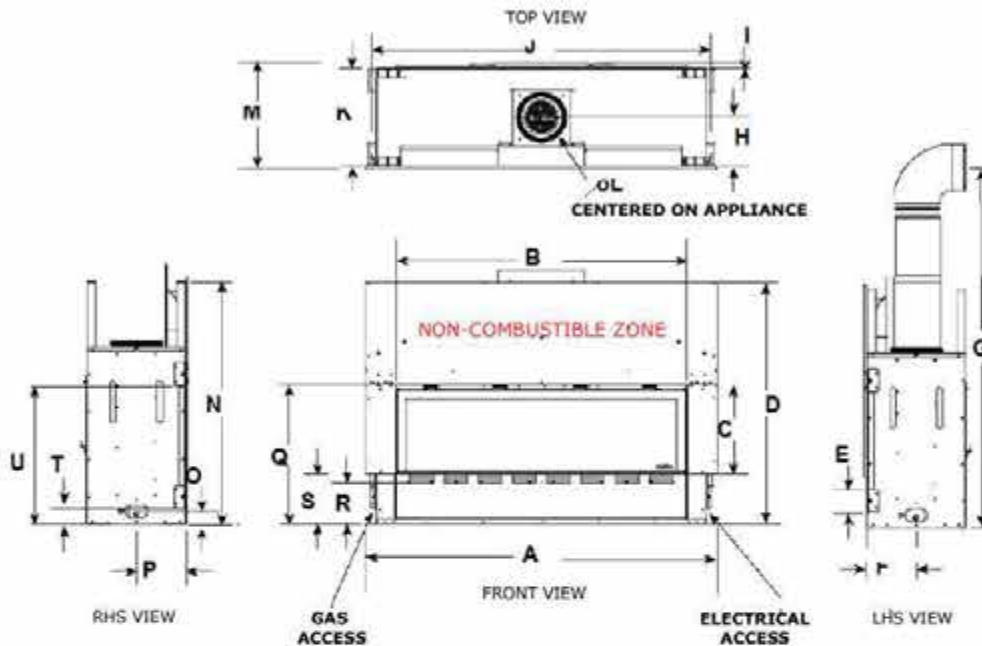
Dimensions shown are in millimeters . Reference dimensions only. We recommend measuring individual units at installation. Assume the use of 10mm plaster.
NOTE: combustible material should not be installed over the face. Make sure you do **NOT** cover the decorative door opening. Refer to installation manual for detailed specifications on installing this product. Heat & Glo reserve the right to update units periodically. The flame and ember appearance may vary based on the type of fuel burned and the venting configuration used. Pictures in this brochure are not the true representation of the fireplace and/or flames.



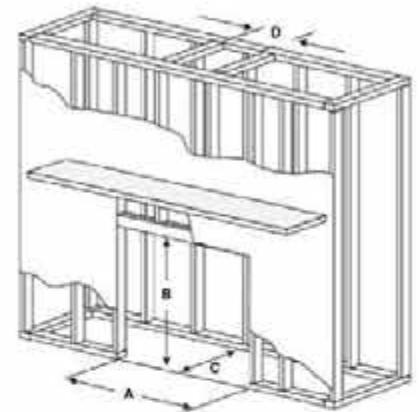
MEZZO SERIES FRAMING SPECIFICATIONS

| UNIT | WIDTH FRAMING - (A) | HEIGHT FRAMING (B) | DEPTH FRAMING - (C) | VIEWING AREA | WIDTH ACTUAL | HEIGHT ACTUAL | DEPTH ACTUAL | MJH INPUT NG/LPG | KWH OUTPUT |
|------|---------------------|--------------------|---------------------|---------------|--------------|---------------|--------------|---------------------|-----------------------|
| 1000 | 1275 mm | 1085 mm | 477 mm | 902 x 318 mm | 1080 mm | 1270 mm | 471 mm | 32.5 NG 32 LPG | 9.03 NG 8.09 LPG |
| 1300 | 1580 mm | 1085 mm | 477 mm | 1207 x 318 mm | 1080 mm | 1575 mm | 471 mm | 43.6 NG 39.6 LPG | 12.12 NG 11.03LPG |
| 1600 | 1885 mm | 1237 mm | 478 mm | 1603 x 318 mm | 1080 mm | 1880 mm | 471 mm | 52.1 NG 44.6 LPG | 14.05 NG 12.04 LPG |

NOTE: Looking at the cavity provide a crimped/capped-off copper gas line close to the bottom left hand side within the opening. Single non-switch GPO/413 socket to be provided close to bottom right hand side within opening.



Framework Opening



PLEASE NOTE
Unit must be installed prior to drywall. Framework opening is greater than drywall opening.

| UNIT | A | B | C | D | E | F | G | H | I | J | K | L | M | N | O | P | Q | R | S | T | U |
|------|------|------|-----|------|-----|-----|------|-----|----|------|-----|-----|-----|------|----|-----|-----|-----|-----|----|-----|
| 1000 | 1270 | 997 | 397 | 1080 | 102 | 217 | 1600 | 217 | 25 | 1224 | 435 | 203 | 471 | 1060 | 60 | 217 | 622 | 184 | 225 | 70 | 603 |
| 1300 | 1575 | 1299 | 397 | 1080 | 102 | 217 | 1600 | 217 | 25 | 1524 | 435 | 203 | 471 | 1060 | 60 | 217 | 622 | 184 | 225 | 70 | 603 |
| 1600 | 1880 | 1603 | 397 | 1232 | 102 | 217 | 1600 | 217 | 25 | 1829 | 435 | 203 | 471 | 1213 | 60 | 217 | 622 | 184 | 225 | 70 | 603 |

Dimensions shown are in millimeters . Reference dimensions only. We recommend measuring individual units at installation. Assume the use of 10mm plaster.
NOTE: combustible material should not be installed over the face. Make sure you do **NOT** cover the decorative door opening. Refer to installation manual for detailed specifications on installing this product. Heat & Glo reserve the right to update units periodically. The flame and ember appearance may vary based on the type of fuel burned and the venting configuration used. Pictures in this brochure are not the true representation of the fireplace and/or flames.



FIREPLACE
CORNER

(08) 9228 2600
sales@fireplacecorner.com.au
www.fireplacecorner.com.au

HEAT & GLO



Mon - Fri 9am-5pm, Sat 9am - 1pm
277 Lord Street Perth, Western Australia 6000