



FIREPLACE CORNER



MEZZO
SERIES

HEAT & GLO
BALANCED FLUE GAS FIREPLACE

BALANCED FLUE GAS FIREPLACE

The Heat & Glo balanced flue gas fireplace is a completely sealed system, drawing 100% of combustion air from the outdoors and exhausting all combustion byproducts back outside, whilst maintaining optimum indoor air quality. In addition, cold air drafts are eliminated and heat output is maximized. With the option of venting vertical or horizontal, even greater placement flexibility is possible, and the variable valve allows you to adjust the flame height and heat output.



MEZZO 1300

Displayed with Black Trim,
Logs & Crushed Glass



MEZZO 1600

Displayed with Black Trim,
Logs & Crushed Glass

MEDIA OPTIONS:



ICED FOG
GLASS



NATURAL
LOGS



CERAMIC
STONES

SURROUND OPTIONS:



BRUSHED
NICKEL



STANDARD
BLACK

FEATURES:



Multi-function remote control allows adjustment of flame height, fan speed and more



IntelliFire Plus electronic ignition system eliminates the need for a standing pilot



LED Ember bed lighting



High definition log media



Balanced flue technology maintains optimum indoor air quality



Top or rear venting options provide installation flexibility



High gloss black porcelain interior for a stunning internal effect



Available in natural gas and LPG

You have never experienced modern design like this!

Clean



Discreet



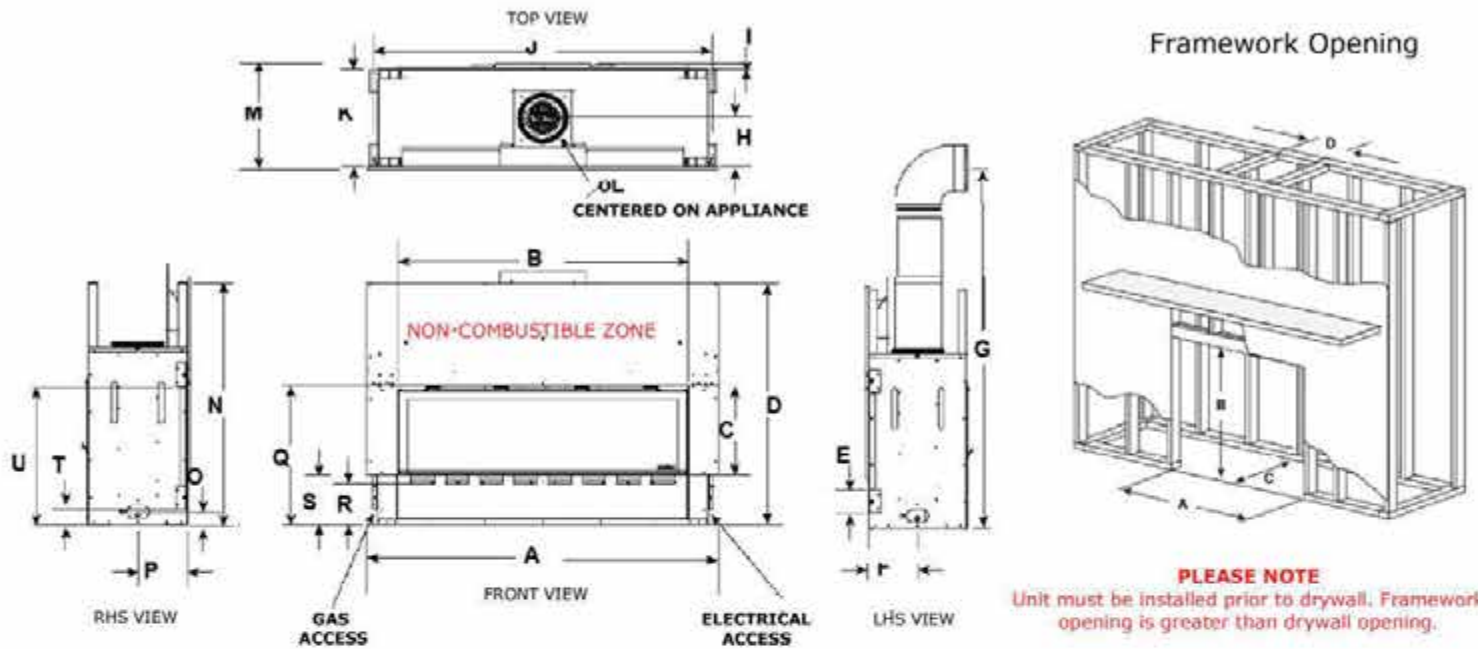
Luxurious

Disclaimer: All products are subject to availability and may change without notice.

1300 ST FRAMING SPECIFICATIONS

UNIT	WIDTH FRAMING - (A)	HEIGHT FRAMING (B)	DEPTH FRAMING - (C)	FLUE FRAMING - (D)	VIEWING AREA	WIDTH ACTUAL	HEIGHT ACTUAL	DEPTH ACTUAL	MJH INPUT NG/LPG	KWH OUTPUT
1300 ST	1530 mm	1067 mm	432 mm	DVP 254 mm	1207 x 318 mm	1575 mm	1080 mm	460 mm	43.6 NG 39.6 LPG	12.12 NG 11.03 LPG

NOTE: Looking at the cavity provide a crimped/capped-off copper gas line close to the bottom left hand side within the opening. Single non-switch GPO/413 socket to be provided close to bottom right hand side within opening.



A	B	C	D	E	F	G	H	I	J	K	L	M	N	O	P	Q	R	S	T	U
1575	1299	397	1080	102	217	1600	217	13	1524	432	203	460	1060	60	217	622	184	225	70	603

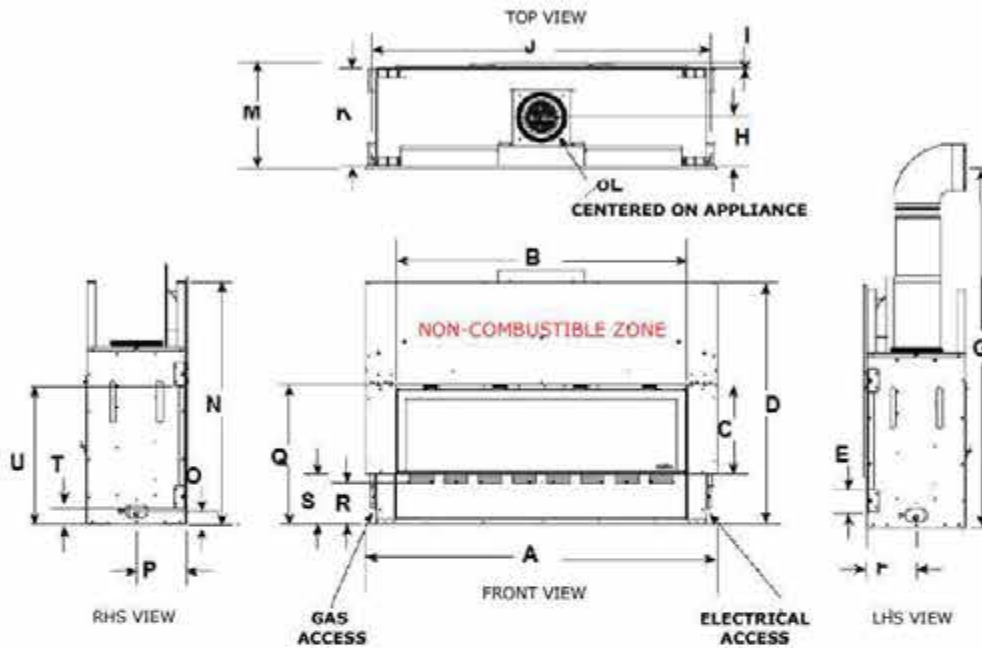
Dimensions shown are in millimeters . Reference dimensions only. We recommend measuring individual units at installation. Assume the use of 10mm plaster.
NOTE: combustible material should not be installed over the face. Make sure you do **NOT** cover the decorative door opening. Refer to installation manual for detailed specifications on installing this product. Heat & Glo reserve the right to update units periodically. The flame and ember appearance may vary based on the type of fuel burned and the venting configuration used. Pictures in this brochure are not the true representation of the fireplace and/or flames.



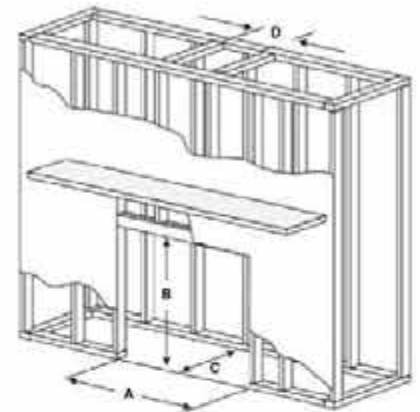
MEZZO SERIES FRAMING SPECIFICATIONS

UNIT	WIDTH FRAMING - (A)	HEIGHT FRAMING (B)	DEPTH FRAMING - (C)	VIEWING AREA	WIDTH ACTUAL	HEIGHT ACTUAL	DEPTH ACTUAL	MJH INPUT NG/LPG	KWH OUTPUT
1000	1275 mm	1085 mm	477 mm	902 x 318 mm	1080 mm	1270 mm	471 mm	32.5 NG 32 LPG	9.03 NG 8.09 LPG
1300	1580 mm	1085 mm	477 mm	1207 x 318 mm	1080 mm	1575 mm	471 mm	43.6 NG 39.6 LPG	12.12 NG 11.03LPG
1600	1885 mm	1237 mm	478 mm	1603 x 318 mm	1080 mm	1880 mm	471 mm	52.1 NG 44.6 LPG	14.05 NG 12.04 LPG

NOTE: Looking at the cavity provide a crimped/capped-off copper gas line close to the bottom left hand side within the opening. Single non-switch GPO/413 socket to be provided close to bottom right hand side within opening.



Framework Opening



PLEASE NOTE
Unit must be installed prior to drywall. Framework opening is greater than drywall opening.

UNIT	A	B	C	D	E	F	G	H	I	J	K	L	M	N	O	P	Q	R	S	T	U
1000	1270	997	397	1080	102	217	1600	217	25	1224	435	203	471	1060	60	217	622	184	225	70	603
1300	1575	1299	397	1080	102	217	1600	217	25	1524	435	203	471	1060	60	217	622	184	225	70	603
1600	1880	1603	397	1232	102	217	1600	217	25	1829	435	203	471	1213	60	217	622	184	225	70	603

Dimensions shown are in millimeters . Reference dimensions only. We recommend measuring individual units at installation. Assume the use of 10mm plaster.
NOTE: combustible material should not be installed over the face. Make sure you do **NOT** cover the decorative door opening. Refer to installation manual for detailed specifications on installing this product. Heat & Glo reserve the right to update units periodically. The flame and ember appearance may vary based on the type of fuel burned and the venting configuration used. Pictures in this brochure are not the true representation of the fireplace and/or flames.



FIREPLACE
CORNER

(08) 9228 2600
sales@fireplacecorner.com.au
www.fireplacecorner.com.au

HEAT & GLO



Mon - Fri 9am-5pm, Sat 9am - 1pm
277 Lord Street Perth, Western Australia 6000