

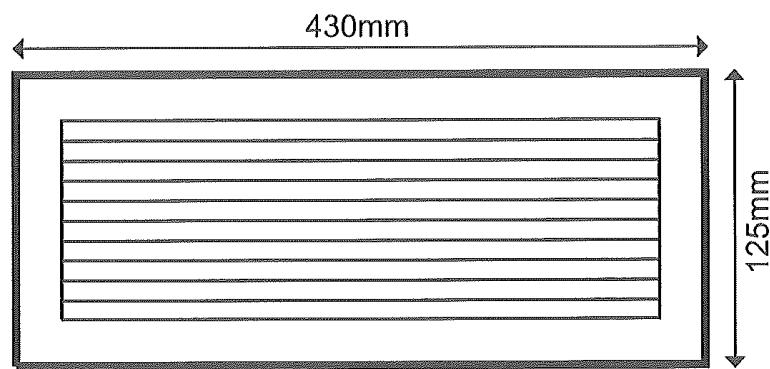
Fresh Air Vent Specification for ALL Open Gas Fireplaces

Ventilation Requirements:

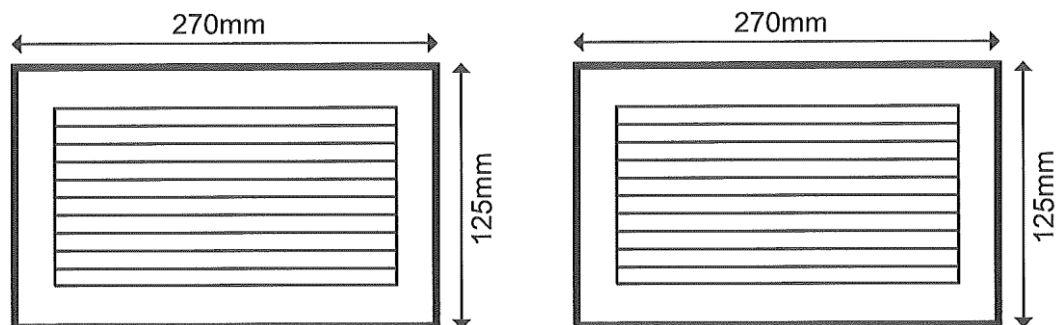
Rooms with Open Gas Fire require fresh air vents as per gas regulations. Vents must be to specification prior to install.

For Example;

1x VENT RENT REQUIRED AT SIZE SHOWN BELOW



2x VENTS REQUIRED AT SIZE SHOWN BELOW



VENTILATION: An opening to outside with minimum free ventilation area of 400sq Centimetres for each decorative open gas fire

NOTE; The chimney in which the appliance is installed in not to be considered as a ventilation opening

ACN 095 891 740
ABB 18 095 891 740

277 Lord Street
Perth, Western Australia 6000
Telephone: (08) 9228 2600
Facsimile: (08) 9228 0238
www.fireplacecorner.com.au