



# FIREPLACE CORNER



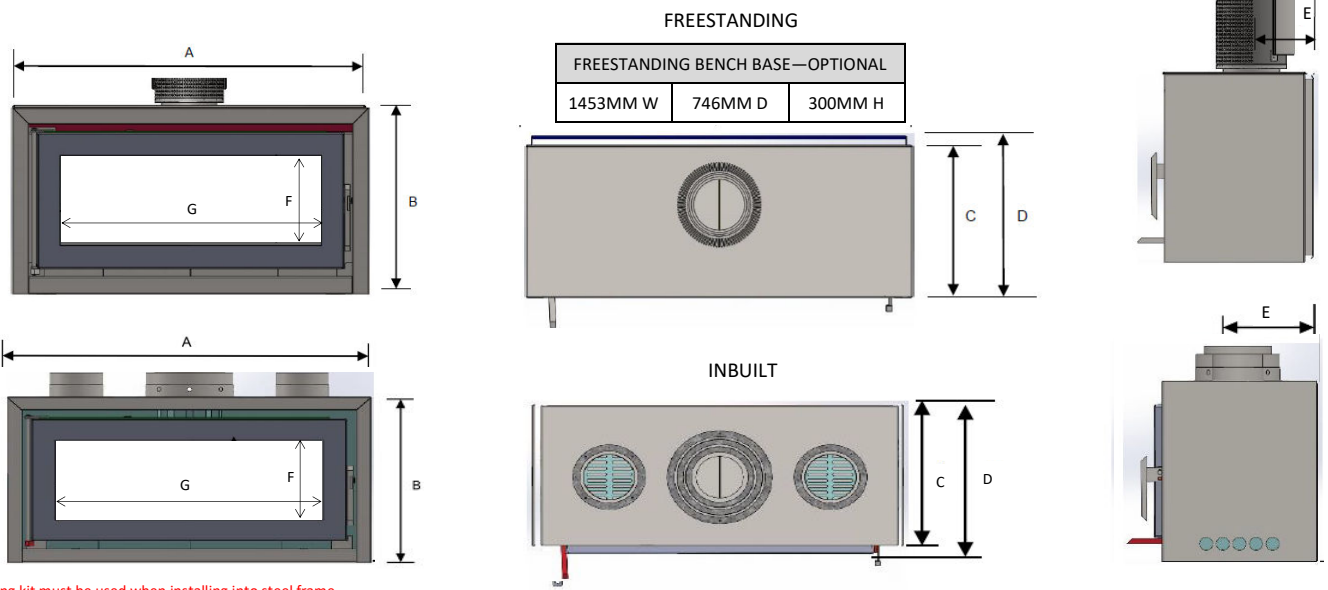
CELESTIAL  
900



PROUDLY AUSTRALIAN MADE

# CELESTIAL 900 UNIT DIMENSIONS

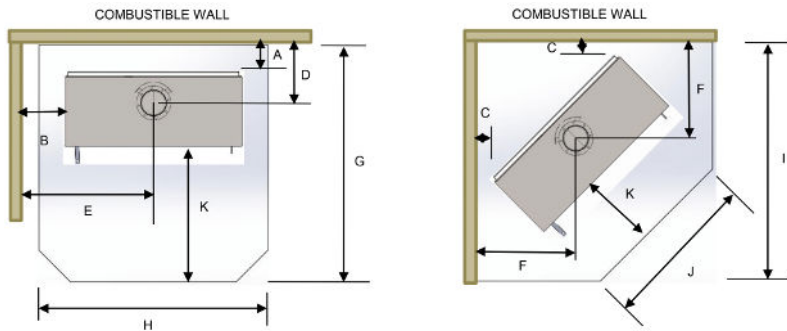
UNIT	A	B	C	D	E	F	G	WEIGHT	AVERAGE EFFICIENCY	HEATING CAPACITY	AVERAGE EMISSION	AVERAGE kW
FREESTANDING	1054	548	414	444	187	268	776	185	66%	220-330m2	0.6g/Kg	12.7
INBUILT	1054	548	468	495	252	268	776	185	66%	220-330m2	0.6g/Kg	12.7



NOTE: Ducting kit must be used when installing into steel frame

## MINIMUM CLEARANCE TO HEAT SENSITIVE MATERIALS AND MINIMUM FLOOR PROTECTION REQUIREMENTS

### FREESTANDING UNIT



A	B	C	D	E	F	G	H	I	J	K
70	350	50**	257	876	530	1115	1080	1375	910	725*

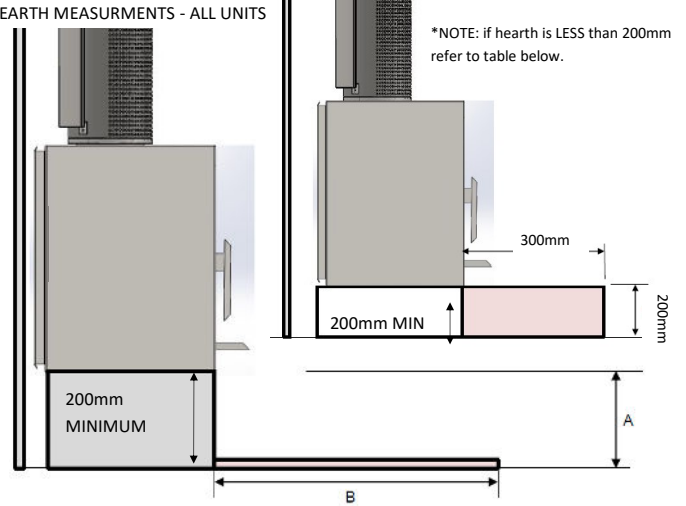
\* As per Clause 3.3.2 of AS/NZS 2918:2001 for floor protector construction requirements. This measurement only applies when unit is 200mm above floor. (refer to hearth measurement drawing if unit is higher than 200mm from floor.)

\*\* This is the minimum allowable distance to any combustible material behind the unit.

NOTE: the floor protector consists of a 18mm thick Bellis Board or similar material which has a thermal resistance of 0.1m<sup>2</sup>/k/W, per 9mm thick sheet.

Dimensions shown are in millimetres. Reference dimensions only. We recommend measuring individual units at installation. Refer to installation manual for detailed specifications on installing this product. Kemlan reserve the right to update units periodically. Pictures in this brochure are not the true representation of the fireplace and/or flames.

### HEARTH MEASUREMENTS - ALL UNITS



A	200	300	400	500	600	700
B	725	715	665	594	492	335

### FEATURES



Up to 10 hours burn time



Average efficiency of 60%



Average particulate emissions of 0.6g/kg



Impressive heating capacity up to 300m<sup>2</sup>

• Zero clearance as standard

• 10 year firebox warranty



# FIREPLACE CORNER

277 Lord Street Perth, Western Australia 6000

Mon - Fri 9am-5pm, Sat 9am - 1pm

(08) 9228 2600

sales@fireplacecorner.com.au

www.fireplacecorner.com.au

**KEMLAN**  
ESTABLISHED 1969

