

# Kemlan The Choice is Clear



## Super Nova Freestanding

A contemporary slow combustion wood heater

 **KEMLAN**  
ESTABLISHED 1969  
Clean Burning Slow Combustion Heaters



# Super Nova Freestanding Slow Combustion Wood Heater

The Kemlan Super Nova is a contemporary heater which will be a stylish feature in your home. This heavy duty heater is an outstanding choice for larger home heating requirements. With its easy to load firebox, the Super Nova provides maximum warmth with a minimum of effort.

Kemlan heaters burn safely, with the flame behind a large, strong glass ceramic viewing area. The glass ceramic shall remain clean throughout the life of the fire by an advanced airwash system designed within the firebox. The flames are so natural, the glass so clean, that viewing is actually more satisfying than an open fireplace.

The fully shielded firebox incorporates a natural convection system. This system allows warmth to circulate throughout your home. An optional 3 speed fan is available to increase circulation by fan forced convection.

Kemlan offers you flexibility in your choice of colours. The Super Nova is available in four standard colours: Satin Black, Charcoal, Golden Fire Brown and Metallic Moss Green or four special colours: these are Metallic Brown, Pewter, Metallic Blue and Forrest Green.

Kemlan is a wholly owned and operated Australian Company established in 1969, specialising in the design and manufacture of quality wood heating appliances.

Relax in comfort with a Super Nova Freestanding warming your home.



**CLEAN**

- Environmentally friendly
- Complies to AS/NZS 4012/4013 for clean emission output
- Preheated primary airwash system ensures a clean view of the fire

**SIMPLE**

- Trouble free operation
- One easy slide control for steady controllable heat
- No levers, rods or dampers
- Easy to light

**SAFE**

- Tested to AS/NZS 2918 for safety clearances
- Fully shielded convection firebox
- Large glass ceramic viewing area

**EFFICIENT**

- High heat output
- Natural convection system
- Optional 3 speed fan

**ROBUST**

- Manufactured to AS/NZS 3869 for strength and durability
- 6mm welded steel firebox
- Firebrick lined floor
- Removable heavy duty baffle plate
- Heavy duty door hinges
- Serviceable door handle assembly
- Stainless steel glass holder

# Technical Specifications

## Construction

- 6mm heavy duty steel firebox
- fully welded 25 mm thick firebrick lined floor
- 6mm heavy duty steel baffle plate

## Performance

- heating capacity 170-240m<sup>2</sup> (18-25 squares)
- peak heat output 16.4kW
- average emission output 3.6g/kg

BURN RATE			
	HIGH	MEDIUM	LOW
Average heat output (kW)	13.4	7.6	4.7
Fuel consumption (kg/hr)	4.2	2.3	1.3

AMDEL test report no. 1AM0656

Fuel type – hardwood



Heating capacity of this appliance is given as a guide only and may vary depending on the climate zone and type of dwelling (floor plan and degree of insulation). Consult your local authorised distributor to determine realistic expectations for your home.

Heat output and fuel consumption of this appliance is dependant on the moisture content, size, loading geometry and the type of hardwood used.

The appliance complies to the safety standards AS/NZS 2918. When in use some parts may become hot. A suitable fireguard is recommended where the very young, elderly or infirm are concerned.



**Kemlan Industries Pty Ltd** ABN 43 003 209 961  
Specialists in Fireplace Design and Manufacture

Head Office: 59 Pineapple Street Zillmere QLD  
PO Box 259 Zillmere QLD 4034 Australia

**Telephone: (07) 3263 8488** Facsimile: (07) 3263 6452  
www.kemlan.com

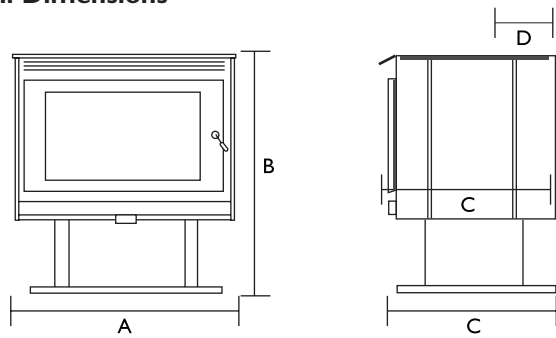
Kemlan is a subsidiary of  
Jetmaster Fireplaces Australia P/L.

Your Local Retail Outlet:



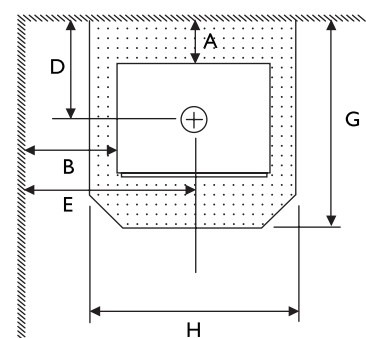
Mon - Fri 9am-5pm, Sat 9am - 1pm  
277 Lord Street Perth, Western Australia 6000  
(08) 9228 2600  
sales@fireplacecorner.com.au  
www.fireplacecorner.com.au

## Overall Dimensions

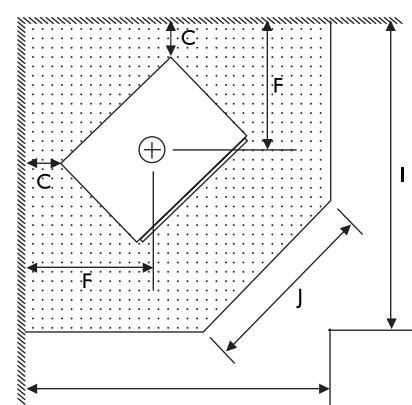


A – Width 660mm      C – Depth 550mm  
B – Height 745mm      D – Depth (centre of flue to back) 215mm

## Minimum Clearances to Heat Sensitive Materials and Minimum Floor Protector Requirements



Standard Installation



Corner Installation

- A – 100mm
- B – 250mm
- C – 50mm
- D – 315mm
- E – 580mm
- F – 490mm
- G – 1100mm
- H – 1000mm
- I – 1200mm
- J – 500mm

One 900mm length of heatshield must be fitted to the flue to achieve clearances to heat sensitive materials (measurements A B C D E F).

A floor protector is required where the floor is heat sensitive. Thickness to be a minimum of 14mm heat resistant material and must extend 450mm in front and 200mm to each side of the firebox opening (measurements G H I J).

- Glass viewing area** - 450mm wide x 250mm high
- Flue pipe** - 150mm Ø - top exit
- Shipping weight** - 136kg

All dimensions shown are approximate. Check all dimensions accurately before installation. Before installation refer to the installation instructions.

In line with our policy of continuous improvement, we reserve the right to alter specifications without notice.

**10 YEAR FIREBOX WARRANTY**  
The firebox is covered by a 10 year warranty.  
Other parts are covered by a one year limited warranty.