

Clean Face Decorative Front

Installation & Operating Instructions

Models: CF-32, CF-36, CF-42



Leave this manual with party responsible for use and operation.

CAUTION! Risk of Cuts, Abrasions or Flying Debris. Wear protective gloves and safety glasses during installation. Sheet metal edges are sharp.

DANGER



HOT GLASS WILL CAUSE BURNS.

DO NOT TOUCH GLASS UNTIL COOLED.

NEVER ALLOW CHILDREN TO TOUCH GLASS.

A barrier designed to reduce the risk of burns from the hot viewing glass is provided with this appliance and shall be installed for the protection of children and other at-risk individuals.

WARNING! Risk of Fire! Combustible materials MUST NOT overlap or be placed behind a decorative front.

CAUTION! Do not install damaged components.

WARNING! Risk of Fire! DO NOT apply combustible materials beyond the minimum clearances. Comply with all minimum clearances to combustibles as specified. Overlapping materials could ignite and will interfere with proper operation of decorative fronts and louvers.

A. Preparation

Remove decorative front assembly from the shipping container.

Separate components from decorative front by removing the two screws on the back side of the decorative front.

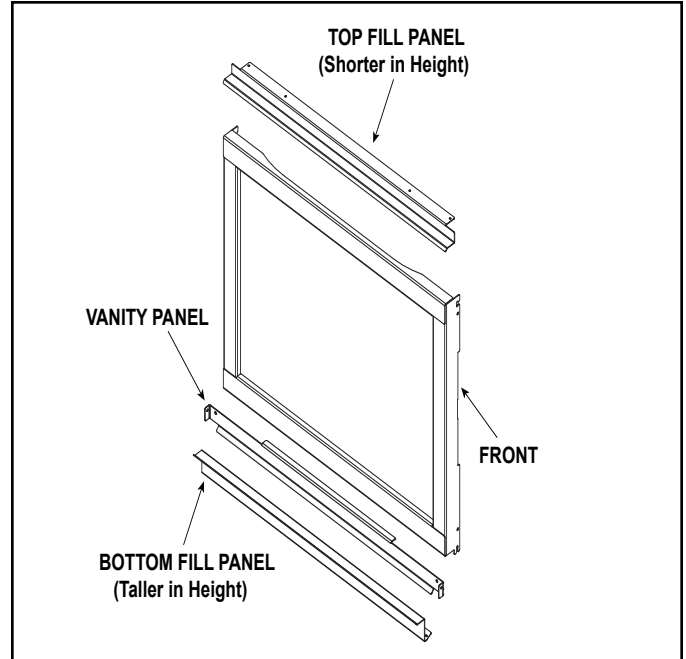


Figure 1. Components

6X-AU Only: If installing 6X-AU appliance, remove magnet brackets from appliance. See Figures 2 and 3.



Figure 2. Left Magnet Bracket



Figure 3. Right Magnet Bracket

B. Door Installation

1. Install Vanity Panel

Install vanity panel. Locate holes on right and left side surround and attach with screw (use upper set of holes on 6000/8000). See Figure 4.



Figure 4. Vanity Panel

2. Install Top Fill Panel

Install the top fill panel (see Figure 1) by installing four screws into the bottom return bend of the top surround of the appliance.

SL-550/SL-750 and ECLIPSE Models:

Locate the two hood slots located in the left and right of top surround. If hood clips are present, remove the hood clips.

Install two screws into left and right slots. See Figure 5.

Install two self-tapping screws into the two remaining center holes.

6000/8000 and "Modern" Models:

Locate the two pilot holes located on the left and right of bottom surround.

Install two screws into left and right slots. See Figure 5.

Install two self-tapping screws into the two remaining center holes.

3. Install Bottom Fill Panel

Install the bottom fill panel by installing four screws into the bottom return bend of the bottom surround of the appliance.

All Models:

Locate the two pilot holes located in the left and right sides of the bottom surround.

Install two screws into left and right slots. See Figure 5.

Install two self-tapping screws into the two remaining center holes.

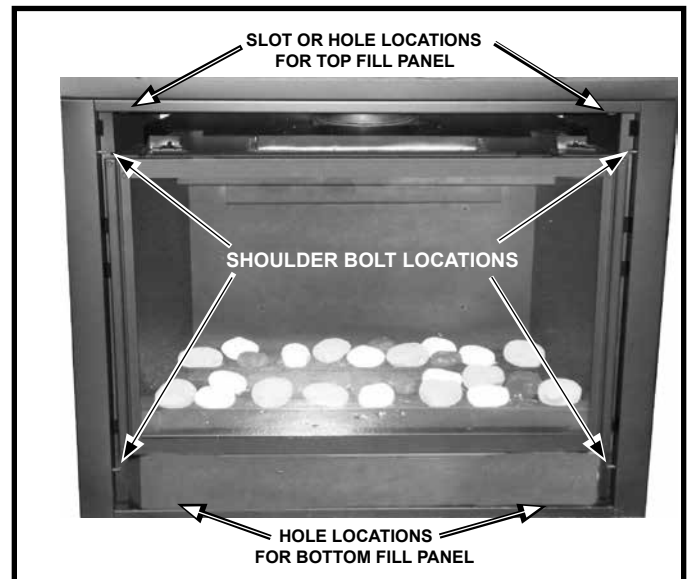


Figure 5. Locations

4. Install Decorative Front

Install four shoulder bolts into the threaded inserts located on the left and right inside surround columns. See Figure 5.

Align the bottom slots on the decorative front with the bottom shoulder bolts and set the front onto the bottom shoulder bolts. Tilt the decorative front towards the fireplace until it contacts the top shoulder bolts. Once the decorative front contacts the top shoulder bolts, lift up slightly and push decorative front toward fireplace until slots and bolts are engaged. Release the decorative front. The decorative front now hangs on the top two shoulder bolts.

Ensure the decorative front is properly attached and securely positioned on the appliance. See Figure 6.



Figure 6. Clean Face Front Installed

C. Finishing

Clean face front must be finished using a non-combustible finishing material. See Figure 7-9. Combustible and Non-combustible materials are defined below.

WARNING! Risk of Fire! Non-combustible zone must be followed. Finishing materials must not extend above top surface of bottom panel. Failure to follow this instructions may result in a fire.

WARNING! Risk of Fire! A temporary plastic finishing strip is in place to keep finishing material from extending too high. Remove this finishing strip before firing unit.

Non-Combustible Materials Specification

Material which will not ignite and burn. Such materials are those consisting entirely of steel, iron, brick, tile, concrete, slate, glass or plasters, or any combination thereof.

Materials that are reported as passing **ASTM E 136, Standard Test Method for Behavior of Materials in a Vertical Tube Furnace at 750° C**, shall be considered non-combustible materials.

Combustible Materials Specification

Materials made of or surfaced with wood, compressed paper, plant fibers, plastics, or other material that can ignite and burn, whether flame proofed or not, or whether plastered or unplastered shall be considered combustible materials.

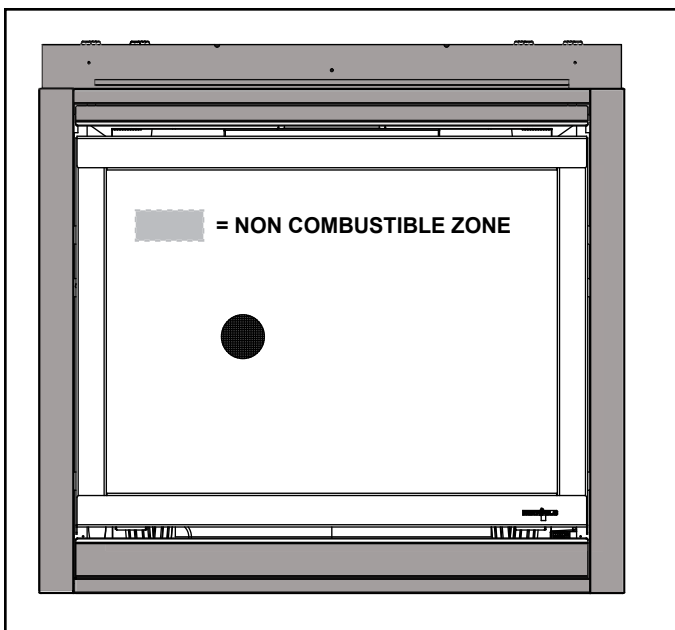


Figure 7. SL-TRS Models Non-Combustible Zone

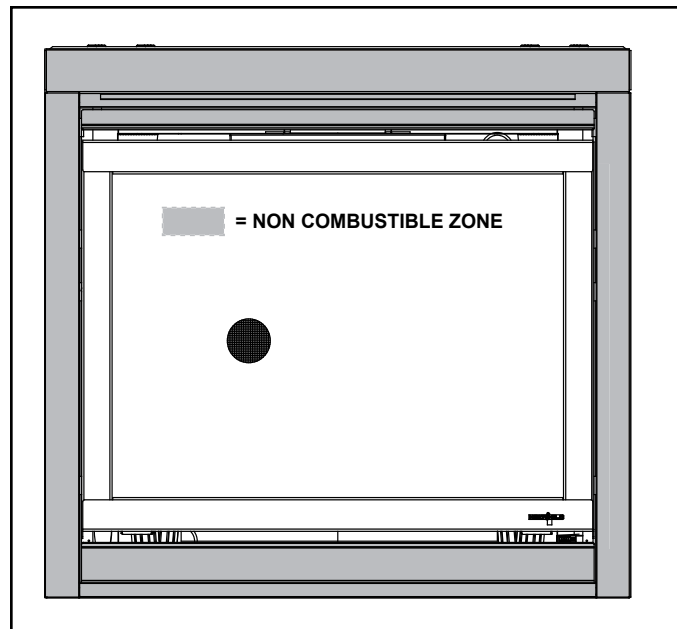


Figure 8. SL-TR & Eclipse Models Non-Combustible Zone

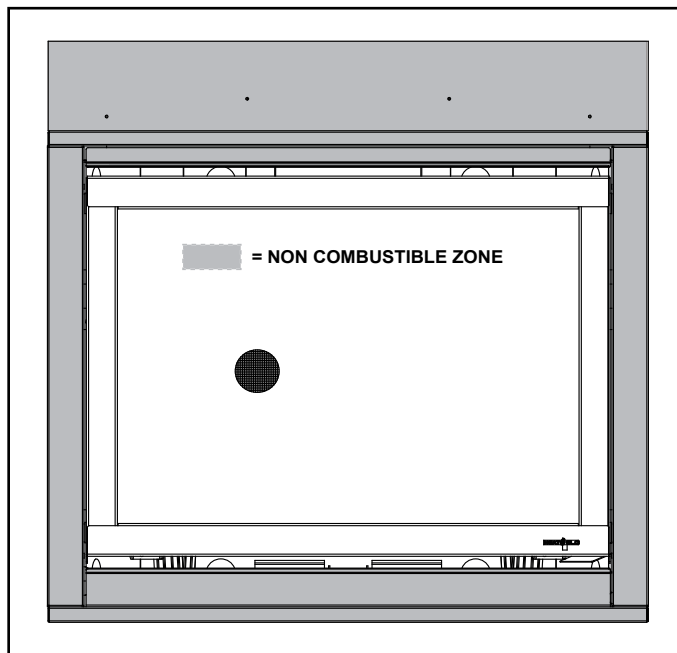


Figure 9. 6000 / 8000 Models Non-Combustible Zone

D. Service Parts List

DECORATIVE FRONTS	DESCRIPTION	PART NUMBER
CF-32-BK CF-32-NB CF-32-GT	Vanity Panel, CF	SRV2352-402-BK
CF-36-BK CF-36-NB CF-36-GT	Vanity Panel, CF	SRV2353-402-BK
CF-42-BK CF-42-NB CF-42-GT	Vanity Panel, CF	SRV2354-402-BK

Cleaning Instructions for Doors

Use a microfiber cloth and Windex® Original Glass Cleaner or 03M003 Stove Bright® Glass Cleaner to clean the door immediately after installation to remove acids deposited by the installer or technician. Spray the cleaner onto the microfiber cloth and carefully wipe the entire surface. The door should be cleaned in this manner annually by the homeowner to remove fingerprints or other contaminants. Once oxidation of the paint pigment has occurred, cleaning will not restore the original color.

Please contact your Hearth & Home Technologies dealer with any questions or concerns.
For the location of your nearest Hearth & Home Technologies dealer,
please visit www.hearthnhome.com.

Hearth & Home Technologies
7571 215th Street West, Lakeville, MN 55044
www.hearthnhome.com