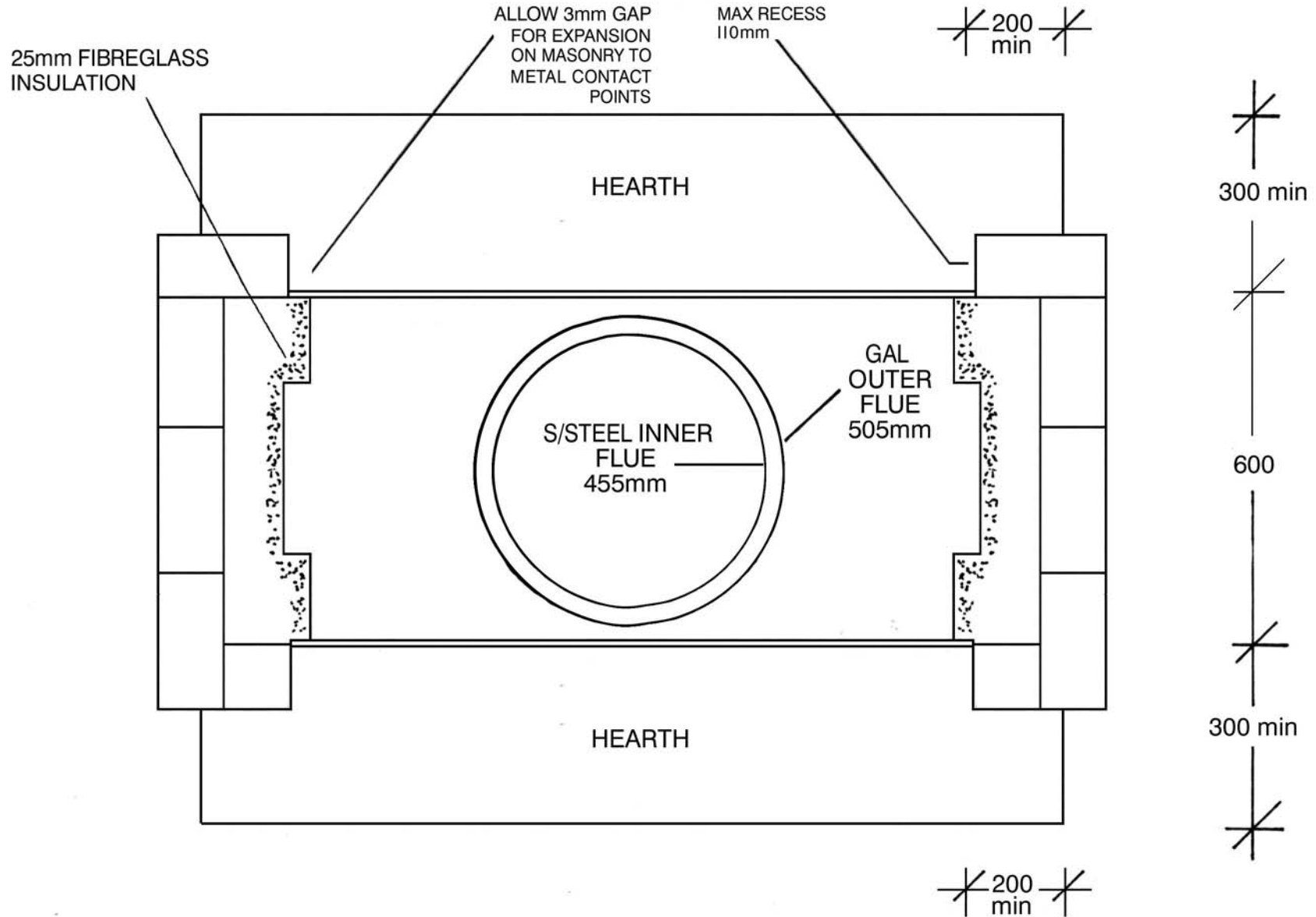


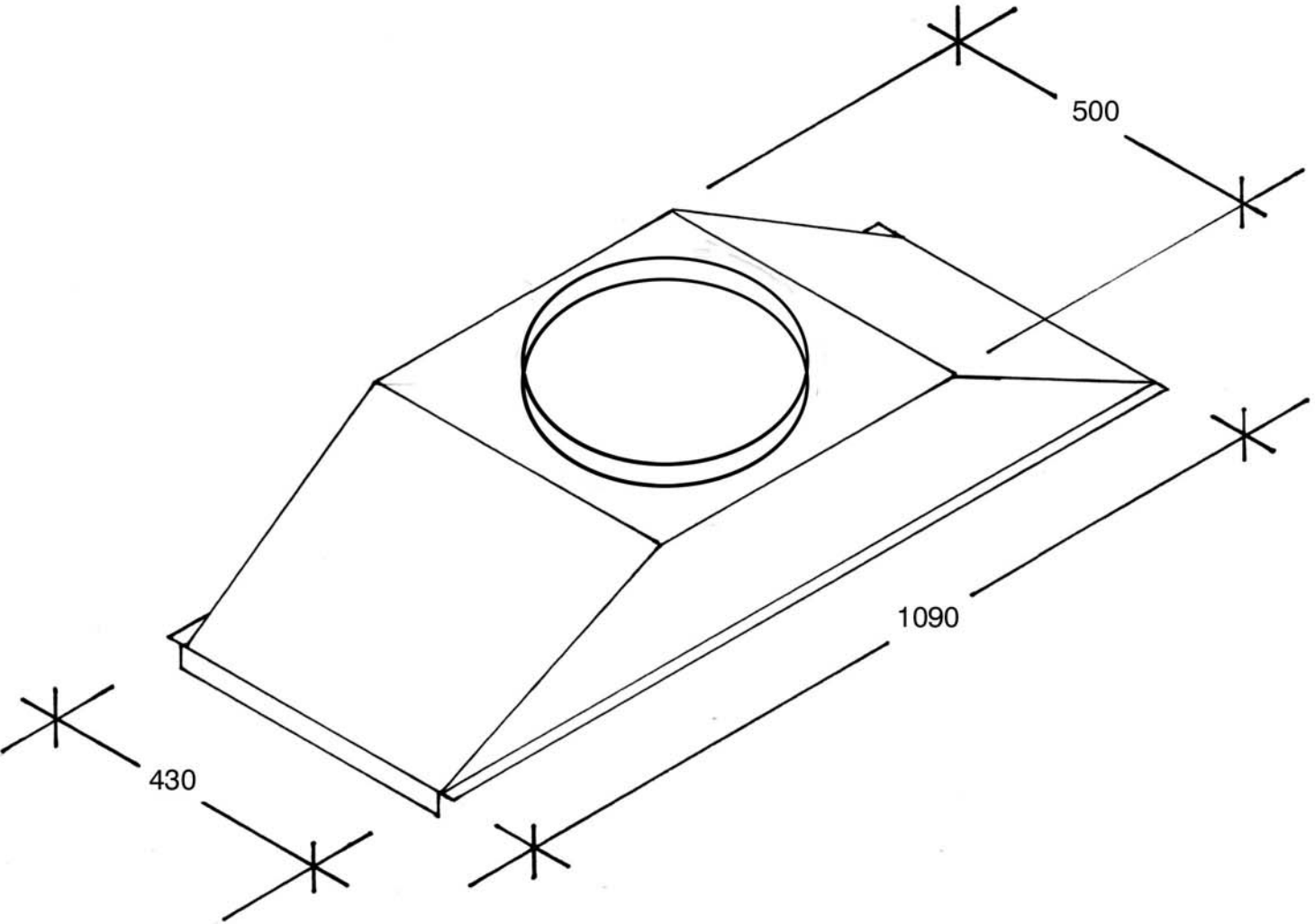
Jetmaster Universal 1050 Double Sided

INSTALLATION SPECIFICATIONS



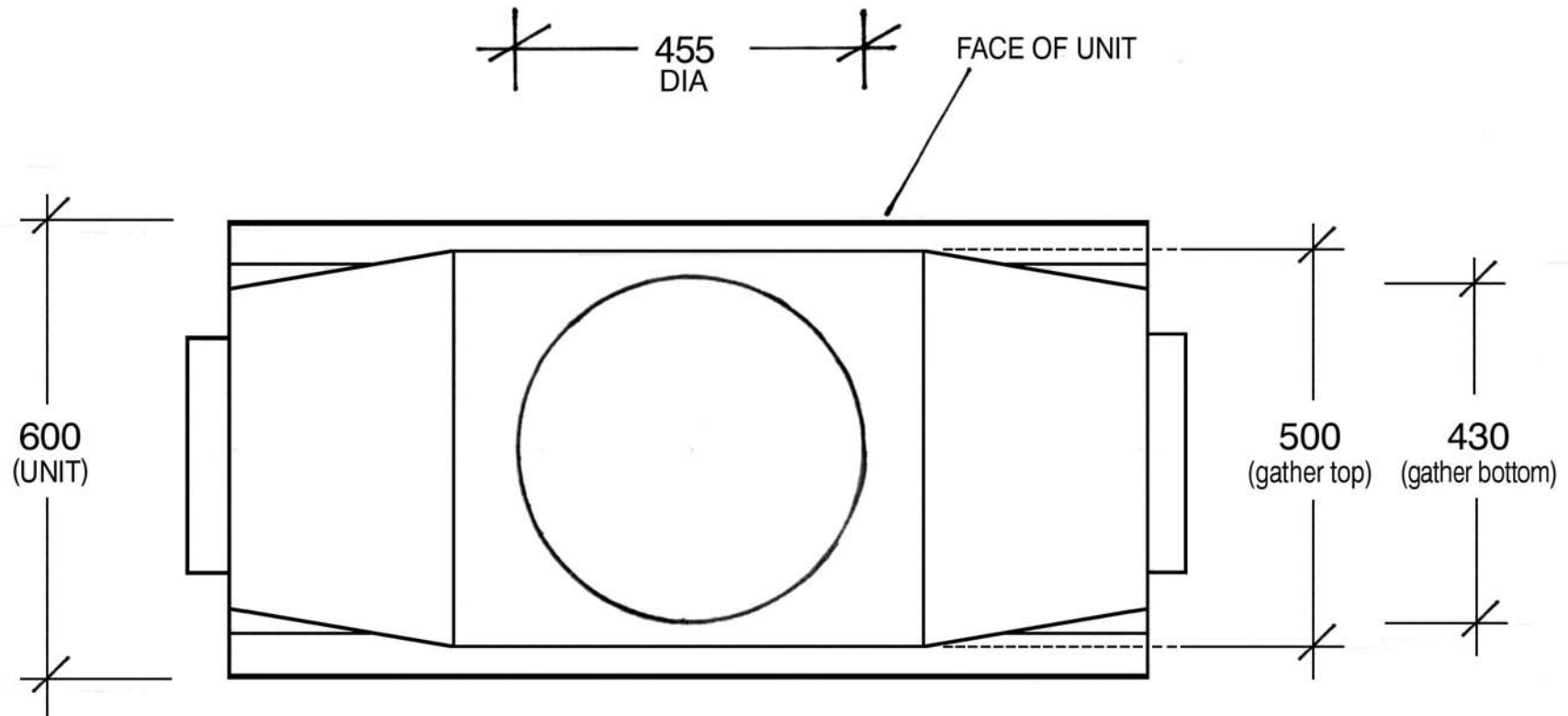
Jetmaster Universal 1050 Double Sided

GATHER (PERSPECTIVE)

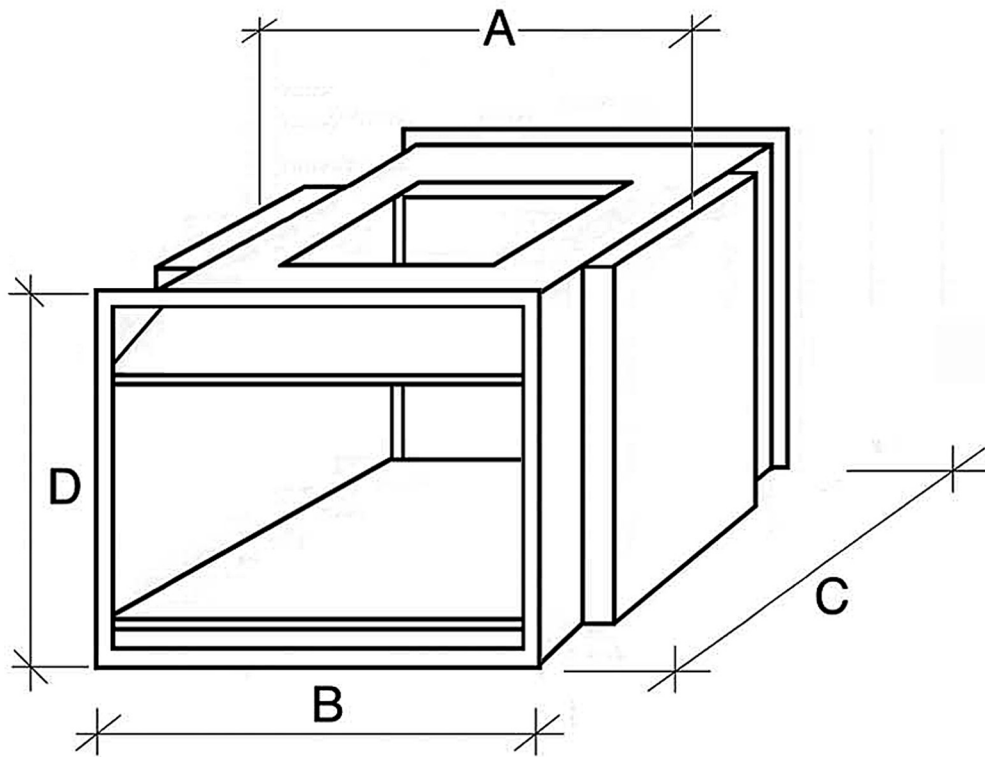


Jetmaster Universal 1050 Double Sided

GATHER (PLAN VIEW)

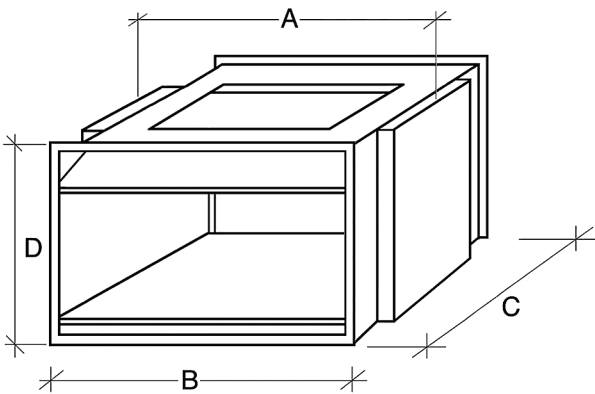
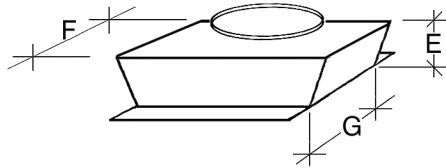


Jetmaster Universal Double Sided



Dimensions in mm.					Heating capacity Cubic Meters	
MODEL	A	B	C	D	Wood	Gas
1050	1205	1150	600	770	300	N/A

JETMASTER DOUBLE-SIDED "A"



MODEL	A	B	C	D	E	F	G
1050	1205	1150	600	770	220	500	430

