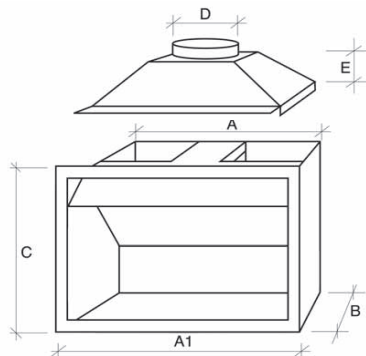
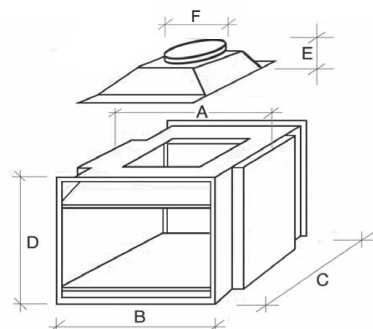


GENERAL INSTALLATION INSTRUCTIONS

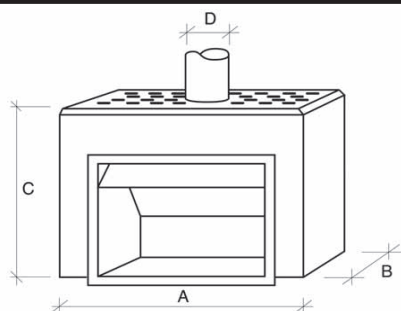


JETMASTER UNIVERSAL							Heating capacity Cu. Meters
DIMENSIONS IN MILLIMETRES						Wood	
MODEL	A	A1	B*	C	D	E	
440	470	510	330	610	200	200	75
500	570	600	350	650	200	200	85
600	670	700	350	650	200	200	100
600 LOW	670	700	350	600	200	200	100
700 SH	770	800	350	650	200	200	130
700 SH LOW	770	800	350	600	200	200	130
700D	770	800	400	700	225	200	160*
850	920	950	450	750	250	220	180
850 LOW	920	950	450	700	250	220	180
1050	1120	1150	500	800	300	240	220
1200	1250	1300	605	1020	405	400	300
1200 double spigot	1250	1300	605	1020	250**	400	300
1500	1550	1600	605	1020	455	400	350
1500 double spigot	1550	1600	605	1020	300**	400	350

*Tested to 15Kw at maximum burning. ** Requires 2 flue outlets (single flue option also available)



JETMASTER DOUBLE-SIDED							Heating capacity Cu. Meters
DIMENSIONS IN MILLIMETRES						Wood	
MODEL	A	B	C	D	E	F	
700	850	800	610	700	220	300	200
1050	1205	1150	610	770	233	455	300



JETMASTER FREESTANDING					Heating capacity Cu. Meters
DIMENSIONS IN MILLIMETRES				Wood	
MODEL	A	B	C	D	
600	1000	390	840	200	160
700 SH	1050	390	840	200	180
700D	1100	440	940	225	200
850	1200	490	990	250	240
1050	1400	550	1005	300	280

ASSEMBLY AND INSTRUCTION

- Position unit on finished hearth level - ensure air intake at base of unit is not obstructed;
- Bolt gather to unit;
- Insulate entire unit and gather where painted red;
- Bolt Lintel (optional) to unit - insulate between unit and Lintel;
- Rivet inner flue to collar of gather at three places;
- Rivet all further inner flues at three places;
- If using double skin flues space inner and outer flues using 3 x 25mm self tapping screws through outer casing at bottom, at each join and at top. Also ensure that flues are ventilated at top and bottom, and when using a cover cone drill a series of holes into the outer flue below the cover cone to ensure adequate ventilation
- Fit cowl to flue or chimney breast.

RECOMMENDATIONS

- Do not recess unit by more than 110mm
- Use a minimum of 3.6 metres lengths of flue

SPECIFICATION SHEET 7

Specifications subject to change, contact Jetmaster prior to commencement.