



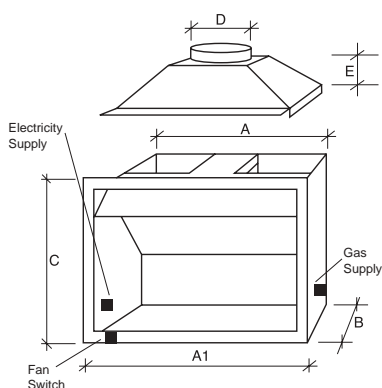
Installation instructions Jetmaster Mark 4 Gas Log



Installation instructions Jetmaster Mark 4 Gas Log

Jetmaster gas logs are fuel effect appliances intended for use in a fireplace suitable for the burning of wood. It is recommended that the Jetmaster gas log be placed in a properly installed Jetmaster Convector firebox in order to ensure an adequate draught and greater efficiency.

The Jetmaster open fire is an approved open fire to burn wood. The following size fireboxes are available for the Type I Burner to be inserted into. The firebox can be installed into an existing fireplace subject to the chimney being the appropriate size and in sound condition. The firebox can also be installed from new with a gather and a flue.



(DIMENSIONS IN MILLIMETERS)

	A	A1	B	C	D	E
600	670	700	350	650	200	200
600 LOW	670	700	350	600	200	200
700SH	770	800	350	650	200	200
700SH LOW	770	800	350	600	200	200
700D	770	800	400	700	225	200

600/700 Mark 4 Gas Log Burner. Suitable for model fireboxes 600-700D

IMPORTANT: Installation of this appliance should only be carried out by an authorised person in accordance with the manufacturers instructions. All relevant codes and regulations laid down by the gas supply authorities, uniform building regulations and the requirements of local municipal authorities must be observed.

Model Type I Decorative Gas Log Fire

600/700 MARK 4 GAS LOG BURNER

DATA PLATE: Refer to date plate for information in respect of gas pressure, consumption and gas type, Natural or LPG. The data plate is located to the side of the grate.

Location Requirements

1. The fireplace construction must be non-combustible and in accordance with the current Building Regulations for chimney and fireplace intended for solid fuel use.
 2. The flue and/or chimney should be tested and proven to have an adequate updraft which shall be sufficient to remove all waste products of combustion. A minimum cross-sectional area of 40,000 sq mm is required with a minimum chimney flue height of 3.6 meters. The installer must satisfy himself that the fireplace is functioning properly and a smoke test is recommended. When using a Jetmaster firebox the appropriate diameter flue for the model fireplace should be used.
 3. The appliance must comply with AG601 Gas Installation Code.
 4. In cases where a twin walled metal flue is used and provided such flue shall comply with the clearances specified in AS2918 or manufacturers instructions in respect of clearance to combustibles.
 5. In cases where a metal is used, such flue shall comply with the standards relating to grade, quality and thickness as are current.
 6. An approved flue cowl with a minimum cross-sections of 40,000sq mm shall be affixed to the top of the flue or chimney.
 7. The installer must remove or fix in an open position any damper which may be affixed to or contained in any fireplace.
 8. It should be noted that the Code AS2286 (space heating appliances-secondary guards) requires a dress guard to be affixed to the appliance or fireplace.
 9. Ventilation. An opening to outside with a minimum free ventilation area of 400sq cm shall be provided for each decorative gas log fire.
- NOTE:** The chimney in which the appliance is installed is not to be considered as a ventilation opening.
10. The appliance shall be installed into a fireplace with a minimum opening of 600mm width and 217mm depth and shall be no greater than 10650mm width and 400mm depth.
 11. Combustible materials to be no closer than 100mm either side of fireplace opening and no closer than 150mm above the opening. The firebox should have a non combustible hearth in front of the firebox.

Installation instructions Jetmaster Mark 4 Gas Log

Installation: Fitting the Gas Grate

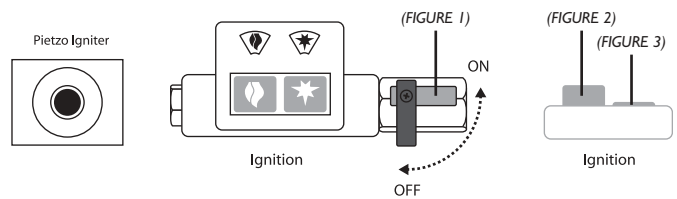
1. Check unit is suitable for intended gas supply.
2. The position of the gas control and inlet is on the right hand side. A regulator is supplied when fitting to natural gas. A gas cock must be fitted prior to the burner to enable the unit to be removed for servicing. (It is recommended that the fireplace and chimney be cleaned prior to fitting the gas unit).
3. In an existing fireplace or Jetmaster firebox (if being used), drill a 15mm hole through the right hand side of the fireplace (as you face it) at a point of 85mm from the base and 85mm from the front face.
4. Cut and debur both ends of pipe. Fit the end to the gas supply point and turn on for approximately 5 seconds to clear the pipe of any dirt or grit. Fit the other end to the gas unit.
5. The regulator supplied and attached to the appliance is for natural gas.
6. Turn on the gas and check all connections for leaks using soapy water for approved method. Fix any leaks.
7. This appliance is approved for use only on Natural Gas and must not be converted to any other gas.

Adjusting Pressure, Pilot and Low Fire

1. All settings are set to operate at appropriate pressures (see data plate). Test point is located on gas valve.
2. Check low fire if adjusted correctly.

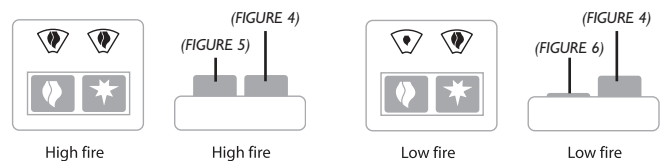
Lighting Instructions

PILOT IGNITION



1. To turn burner on stop cock needs to be in horizontal position. (FIGURE 1)
2. Ensure left hand button on control is fully extended before igniting (FIGURE 2) (a large flame should be showing in the window).
3. Depress right hand button (FIGURE 3) (which is the pilot) in and hold whilst either lighting manually with lighted match or depressing piezo. Lighter needs to be placed at pilot until burning. Hold button in for approximately 20 seconds then release. If pilot goes out repeat step 3.

BURNER IGNITION



1. The button on the right (FIGURE 4) controls the gas to the burner and the button on the left (FIGURE 5) controls either high or low settings.
2. With pilot only burning right hand button will be fully depressed. Push right hand button in and release button to a fully extended position and main burner will ignite.
3. Depress left hand button (FIGURE 6) for low setting. Small flame will appear in left hand window.

TURNING MAIN BURNER OFF



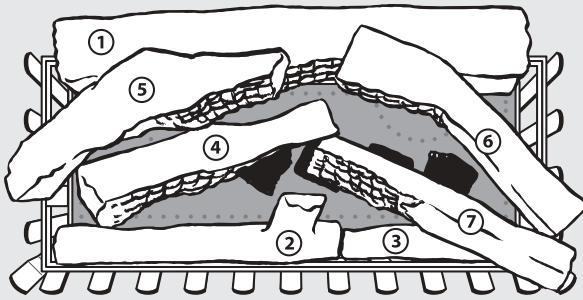
1. Depress right hand button (FIGURE 7) in from fully extended position to off position.

TURNING PILOT TO OFF POSITION

1. Turn stop cock from horizontal to vertical (FIGURE 1) to turn pilot off.

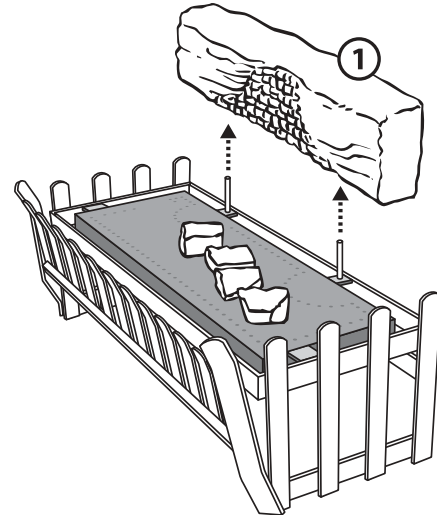
Installation instructions Jetmaster Mark 4 Gas Log

Ceramic log positioning for gas fires

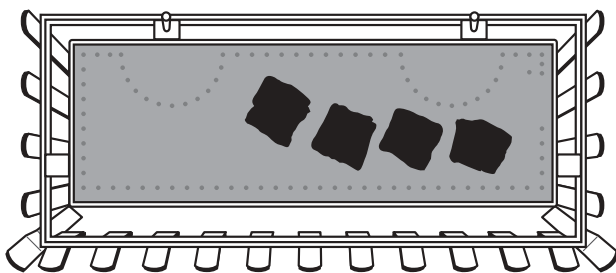


POSITIONING OF ALL LOGS

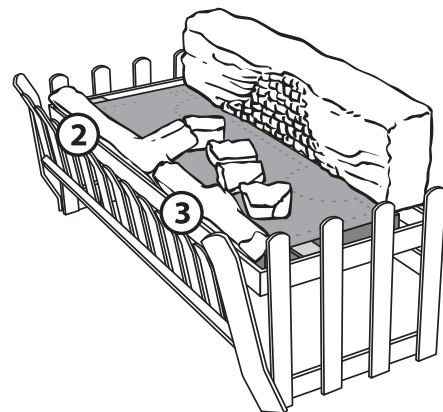
- It is important to follow the log recommended positioning.
- Not doing so can adversely effect the operation of the appliance.
- This diagram shows the recommended log positions, when viewed from above.



2. LOCATE LOG NO. 1: This is the largest log that is positioned at the rear of the grate. Two locating pins are positioned at the rear of the burner. The large log has two holes on the underside to position in place.



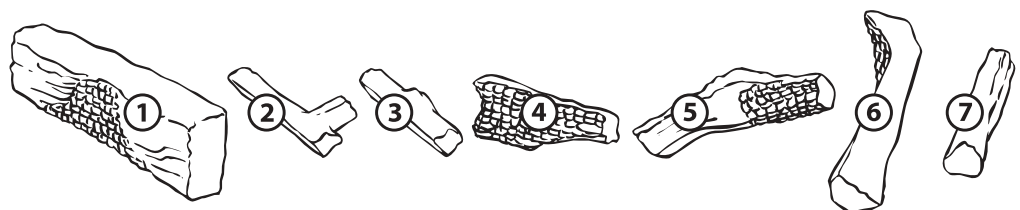
1. LOCATE 4 CERAMIC COALS: Four ceramic coals are supplied with the burner base. These coals must be laid in the position indicated on the drawing with the taller coals on the ends and smaller coals in-between.



3. LOCATE LOG NO'S 2 & 3: Two front log no's. 2 and 3 are supplied to fit into the space between the metal frame and the ceramic base. These logs do not cover the front burner ports but are designed to deflect the front flame back into the fire.

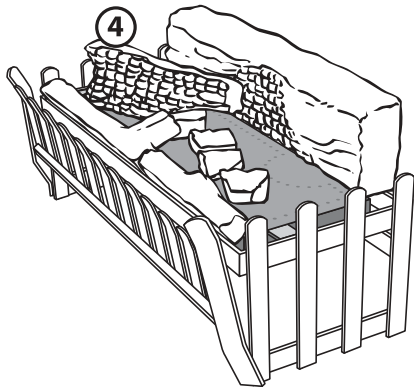
LOGS

Only use logs supplied by the manufacturer as other logs may effect combustion performance.

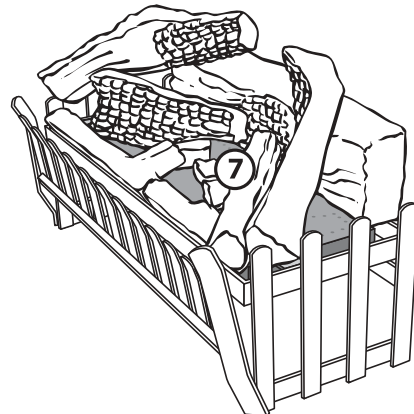


Installation instructions Jetmaster Mark 4 Gas Log

Ceramic log positioning for gas fires

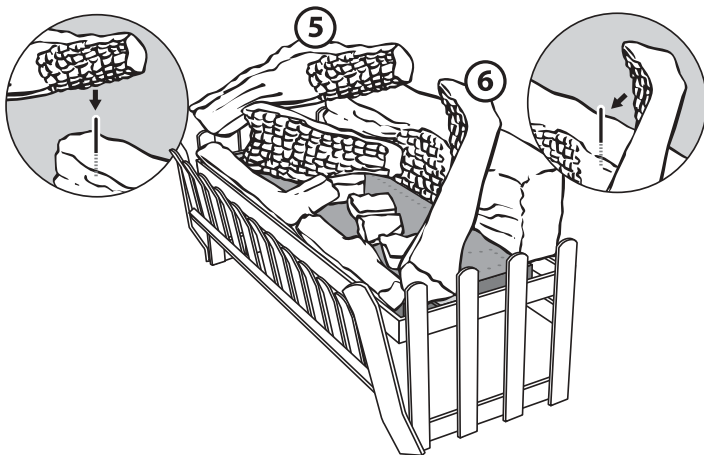


4. LOCATE LOG NO. 4. This log is placed with the thinner edge on the smaller coal. The charred effect is facing towards the front of the burner. The whole log is positioned on the burner base.

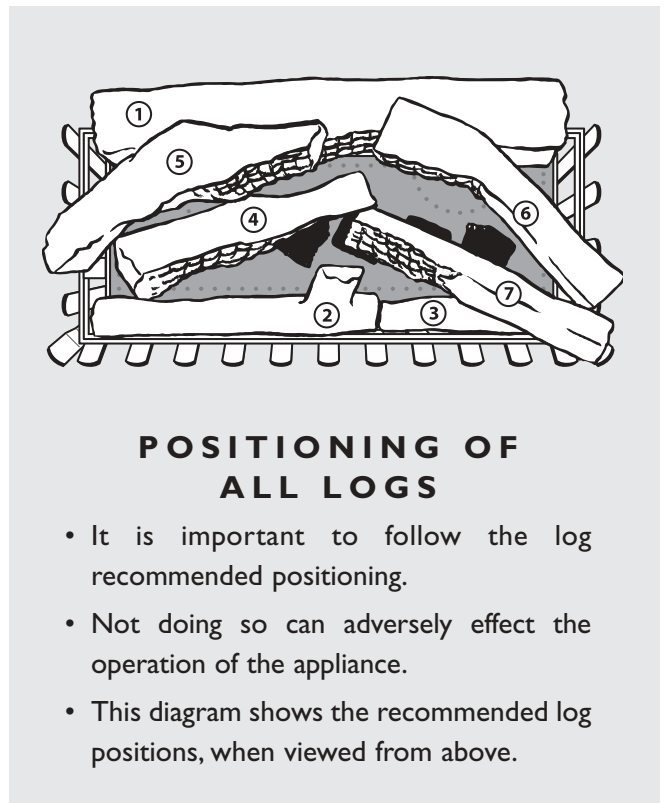


6. LOCATE LOG NO. 7: The charred effect of the log is positioned on the smaller coal in the centre of the burner on the right hand side.

The right hand side of the log is positioned between the front metal upright on the side.



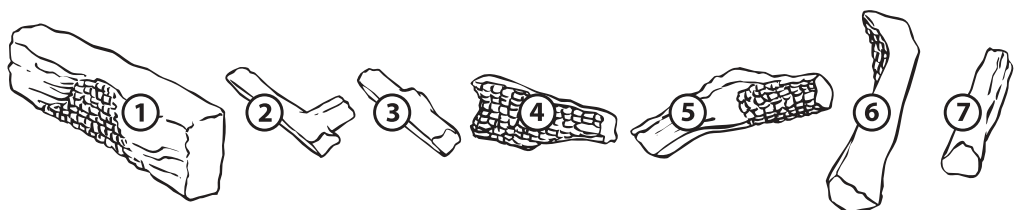
5. LOCATE LOG NO'S 5 & 6. Log no. 5 is positioned onto the larger rear log on the left hand side. The charred effect faces inwards and the bark effect on the outside. The left hand side of the log is positioned between the metal uprights on the side of the grate. Log no. 6 is positioned in the same manner but on the right hand side of the burner with the right hand side of the logs positioned between the metal uprights of the grate. Two pins are provided to firmly position these two logs onto the large rear log (no. 1).



- POSITIONING OF ALL LOGS**
- It is important to follow the log recommended positioning.
 - Not doing so can adversely effect the operation of the appliance.
 - This diagram shows the recommended log positions, when viewed from above.

LOGS

Only use logs supplied by the manufacturer as other logs may effect combustion performance.



Installation instructions Jetmaster Mark 4 Gas Log

Commissioning Procedure

Installed correctly the burner should not emit any fumes into the room. The following procedure should be undertaken to test that the unit is operating correctly.

1. After unit has been operating for a short period a smoke match, smoke tube, carbon dioxide analyser or similar should be directed at the top opening of the unit.
2. This procedure should be undertaken with the following conditions in the room:
 - Open or closed windows
 - Operation of extraction/exhaust fans, range hoods etc
 - Operation of other gas appliances
 - Operation of optional appliance fan at any speed.
3. Should any spillage be detected the cause must be rectified before allowing commissioning of unit.

User Instructions:

1. **WARNING NOTE:** Properly installed and operated this appliance will not leak gases. Persistent fume emission must not be tolerated. If fume emission does exist, then the following immediate action should be taken.
 - A. Open doors and windows to ventilate room.
 - B. Turn the fire off.
 - C. Check for flue blockage and clear if necessary.
 - D. Do not attempt to relight the burner until the cause of the emission has been identified and rectified. Should assistance or advice be required contact nearest agent or Jetmaster.
 - E. The gas grate is recommended for use in a Jetmaster firebox which has been designed to ensure a proper draw and to eliminate emission spillage.
2. Initially the Jetmaster coal fire may burn with a slightly blue flame. After approximately 20 minutes the fire will settle down and burn with a yellow flame.

3. As with all gas appliances your gas coal fire should be regularly serviced. We recommend once each year. Contact your nearest Jetmaster authorised agent to provide service. The routine for an authorised person to follow has been set out in an attached leaflet.

4. **PLEASE NOTE:** Only logs provided by Jetmaster should be used with this appliance.

5. **DO NOT** place articles on or against this appliance.
DO NOT use or store flammable materials near this appliance.

DO NOT spray aerosols in the vicinity of this appliance whilst it is in operation.

Primarily a decorative appliance not certified as a space heater.

6. The appliance is a live fuel effect product designed to operate with luminous flames and may exhibit slight carbon deposition.

Warranty

Provided the appliance has been correctly installed according to instructions, Jetmaster guarantee the cost of replacing parts and the labour in connection therewith for a period of 12 months from the date of installation. Should the appliance be subject to a service contract the replacement of the parts and the service involved in such replacement shall be at no charge to the owner and the Warranty shall be extended to 3 years (provided of course the appliance had been continuously serviced by an approved Jetmaster agent).

For further information contact Jetmaster Australia



10 Martin Avenue, Arncliffe NSW 2205 T: 02 9597 7222 F: 02 9597 7622

E: sales@jetmaster.com.au W: www.jetmaster.com.au