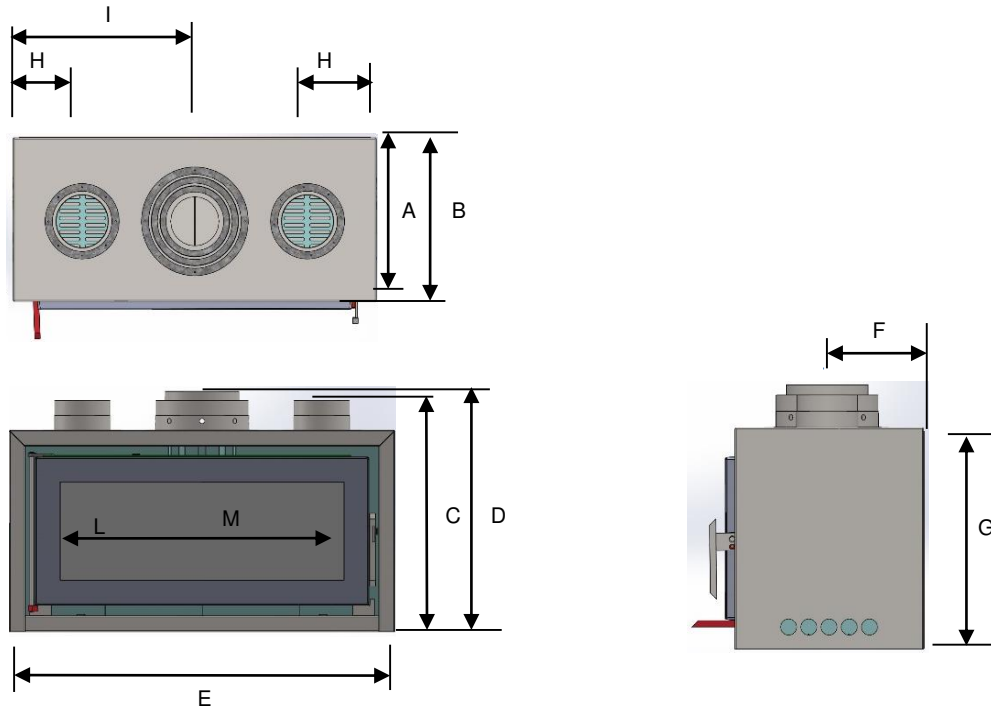
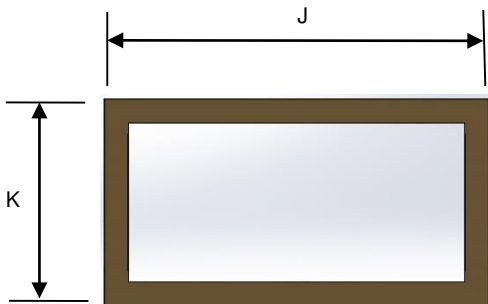


DIMENSIONS

CELESTIAL 900 WITH HEAT DUCTING BOX FOR METAL FRAME AND MASONRY / HEBEL



FASCIA



DESC.	MODEL	A	B	C	D	E	F	G	H	I	J	K	L	M
CELESTIAL 900	WALL INSERT	468	495	633	653	1054	252	548	202	528	1100	592	776	268