

Promafore Ceramic board installation instruction

For Celestial 900 with fan

1. Framing dimensions :

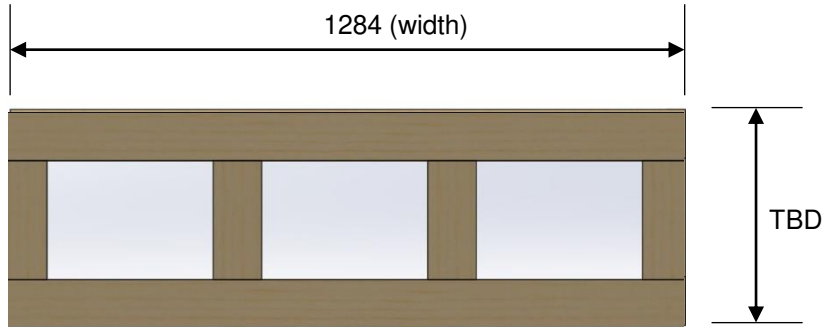


Fig.1 front view base frame

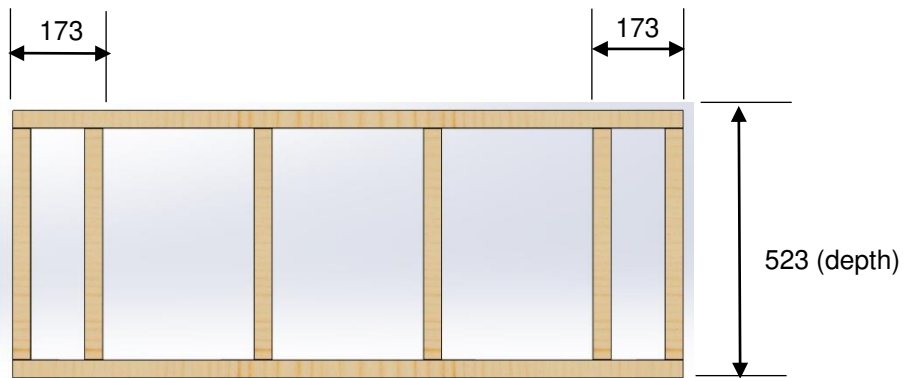


Fig.2 top view beam spacing

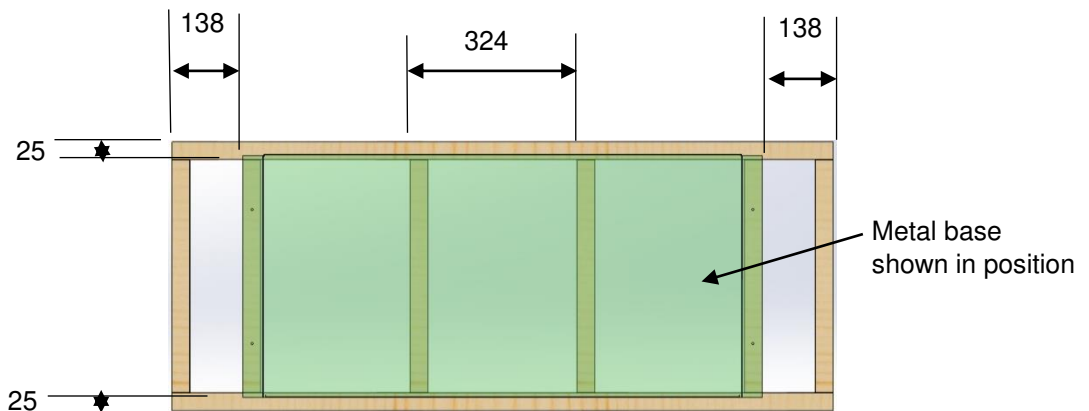
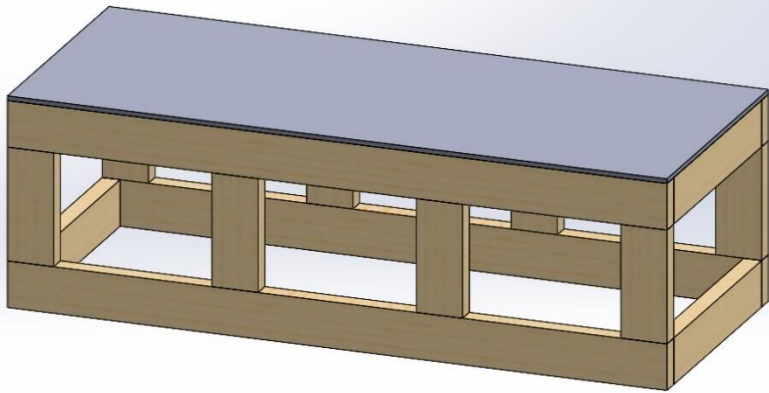


Fig.3 top view c channels on beams

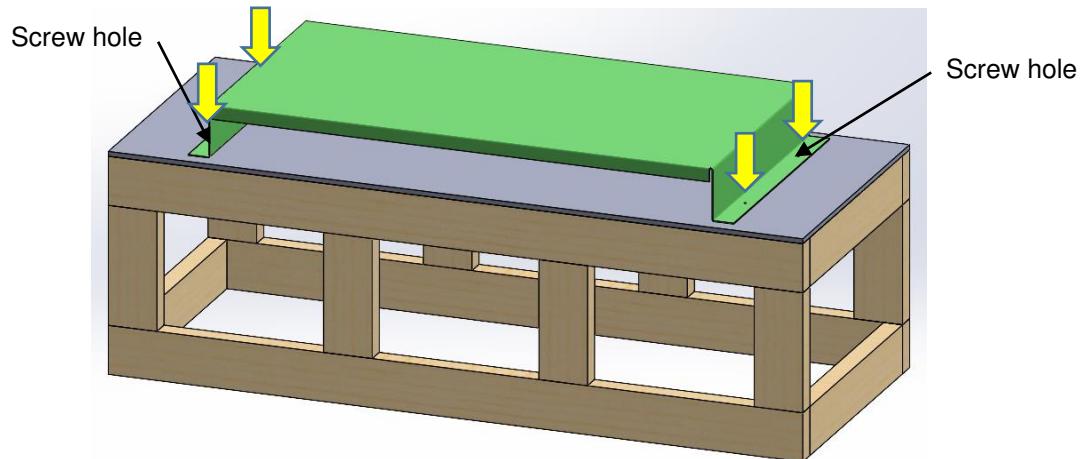
Note: The typical beam spacing to accommodate metal base, it need to be screwed to the fibre cement and beam as per the installers discretion. Screws are supplied.

Promafore Ceramic board installation instruction For Celestial 900 with fan

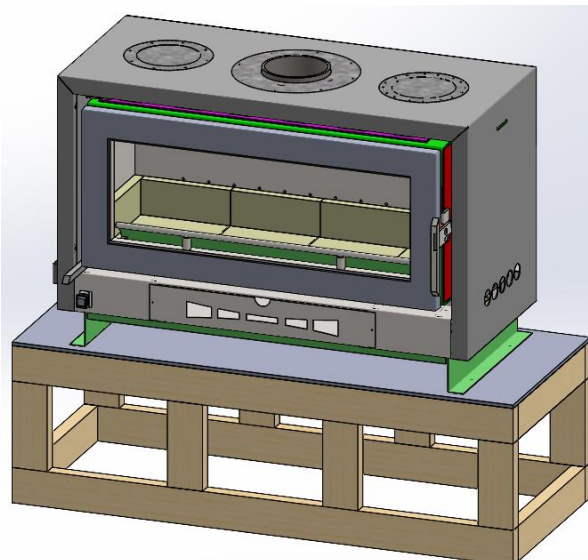
2. Place 6mm fibre cement sheeting on top of the base.



3. Screw the metal base into position



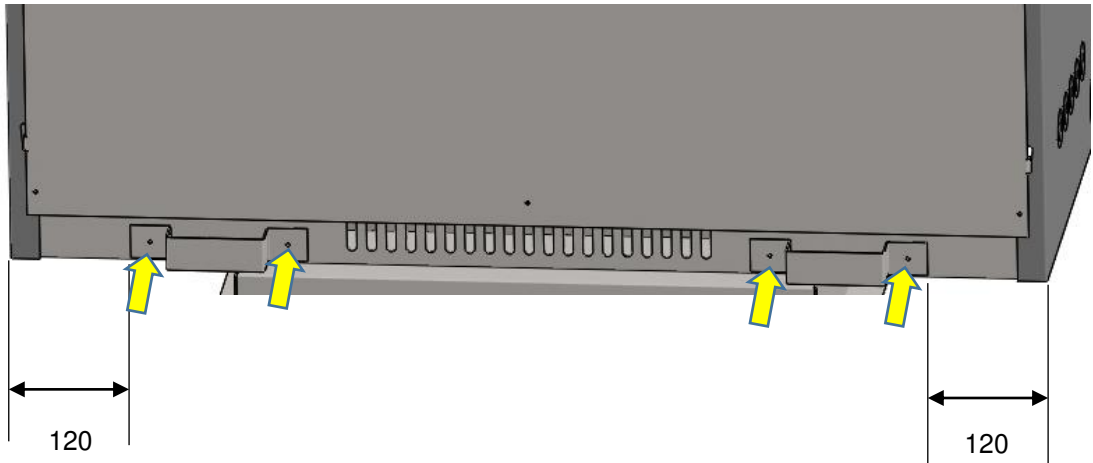
4. Place the appliance on to the metal base, it should be equal distance to both the left and right edge of the base frame. Front of the appliance should be flush to the front of the frame.



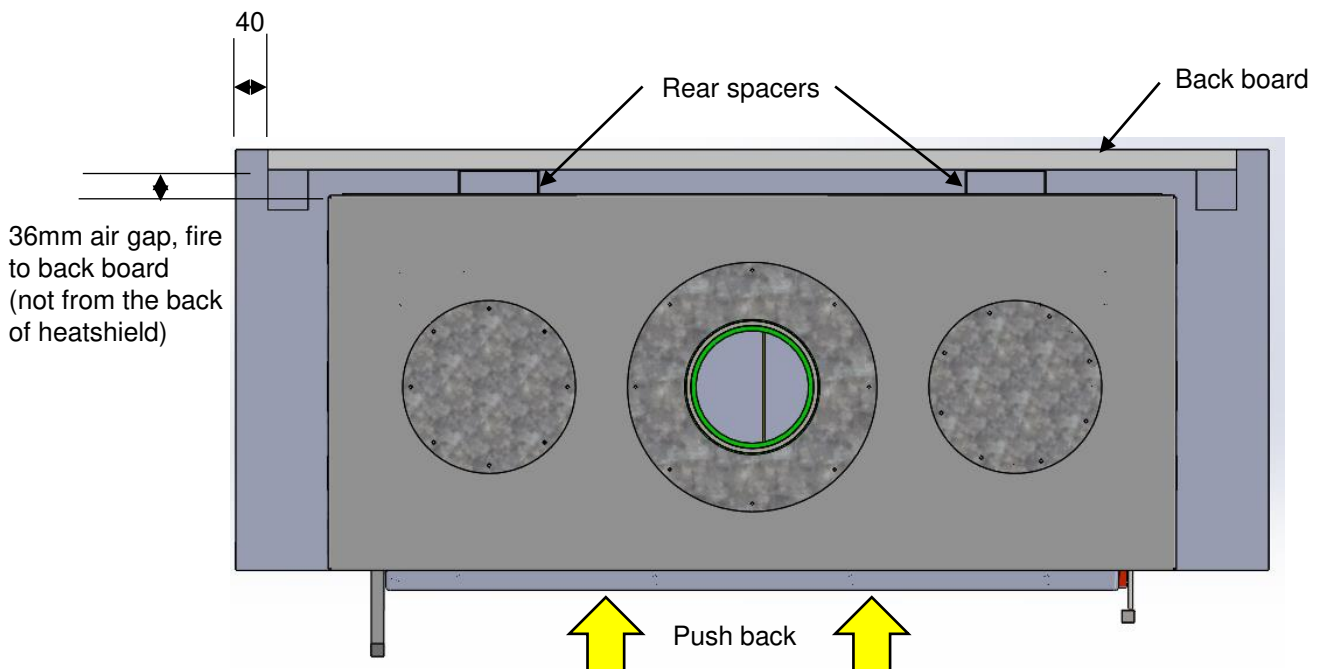
Promafore Ceramic board installation instruction

For Celestial 900 with fan

5. Attach the rear spacers to the rear of the firebox with self tapping screws provided. The rear spacers must not be installed lower than horizontal bottom edge of the firebox.

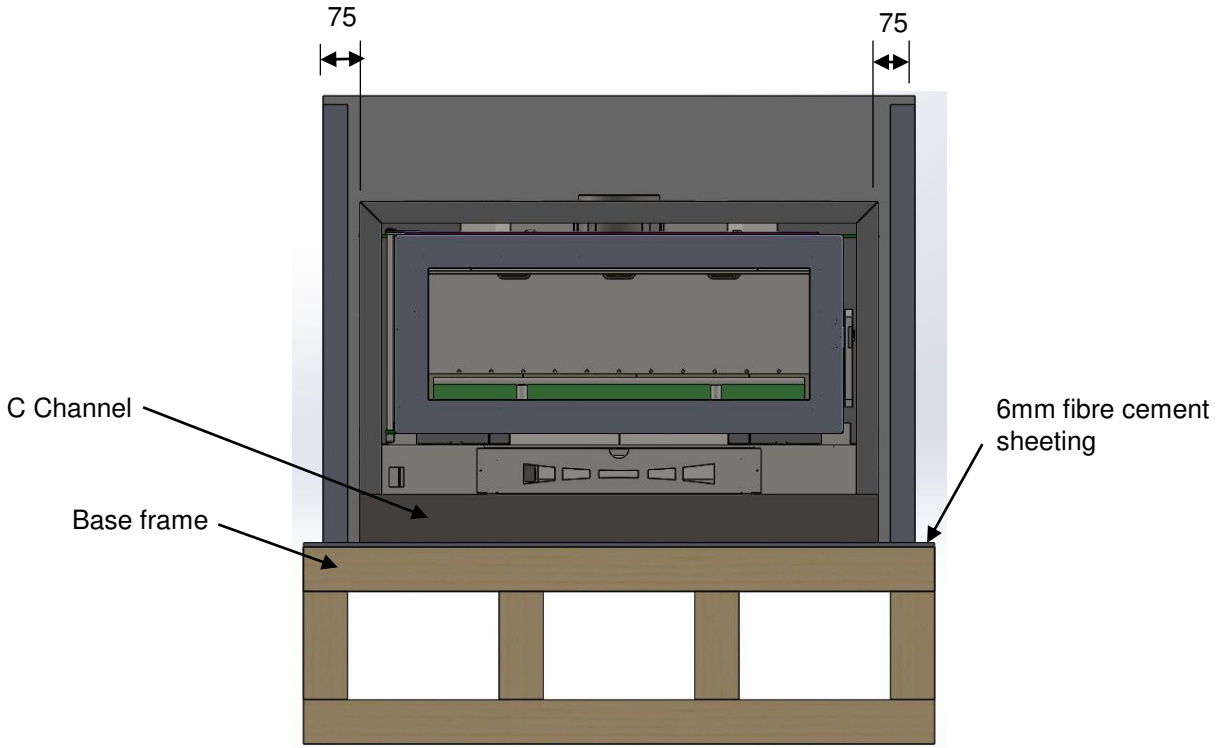


6. Using high temperature silicone and self tapping screws, add the 50x50mm support angles onto the rear panel. The support angles should sit flush with the outside and bottom edges of the rear panel. Place the assembled boards flush with the back edge of the frame and 40mm from the left and right edges of the frame. Push the appliance back until the rear spacers touch the back board.

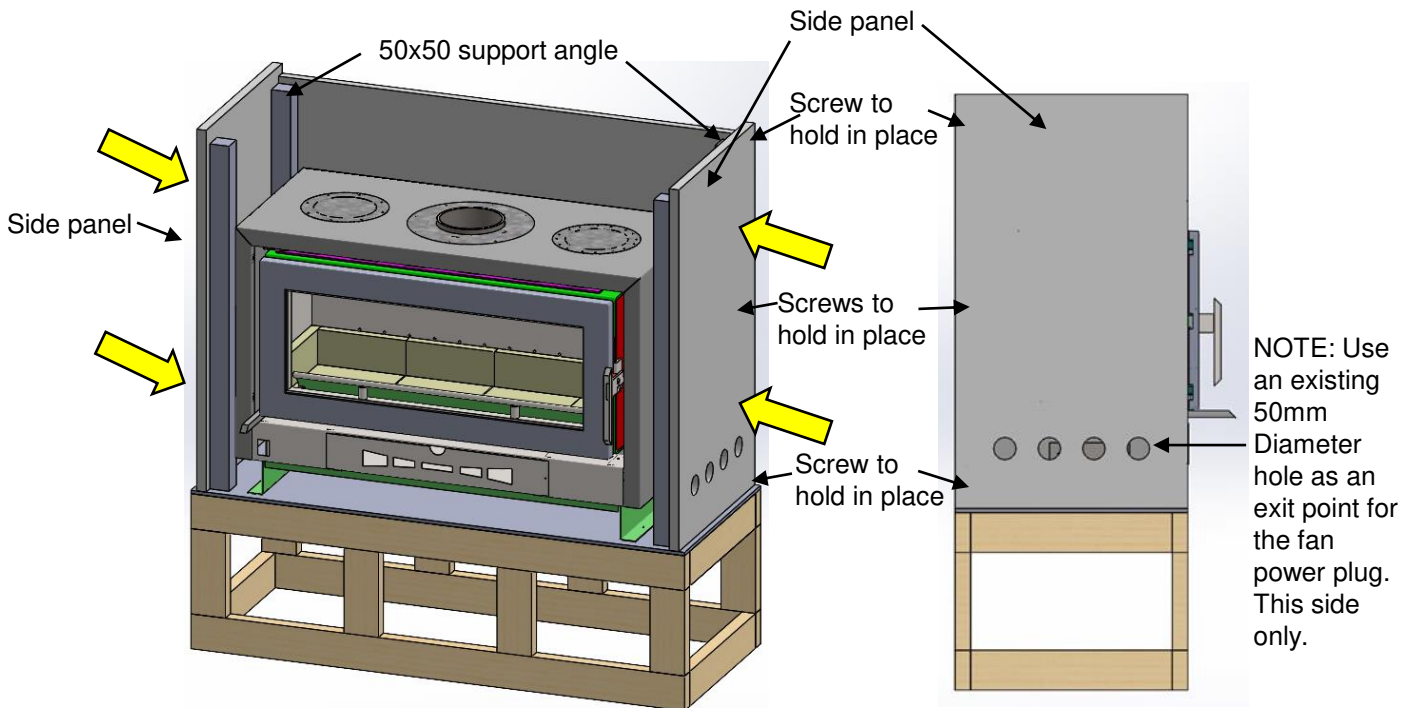


Promafore Ceramic board installation instruction

For Celestial 900 with fan



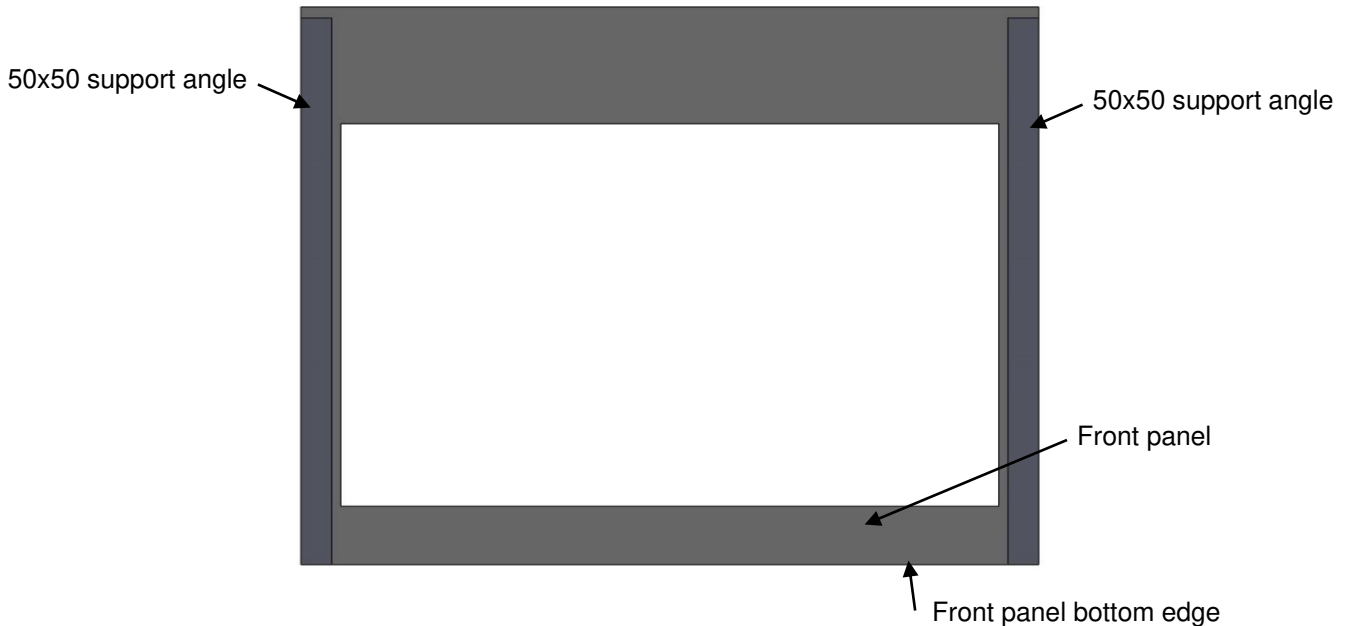
7. The left and right side panels can now be installed with high temperature silicone and screws to fasten onto 50x50mm rear angles. The side panel back edges should be level to the outer face of the rear board.



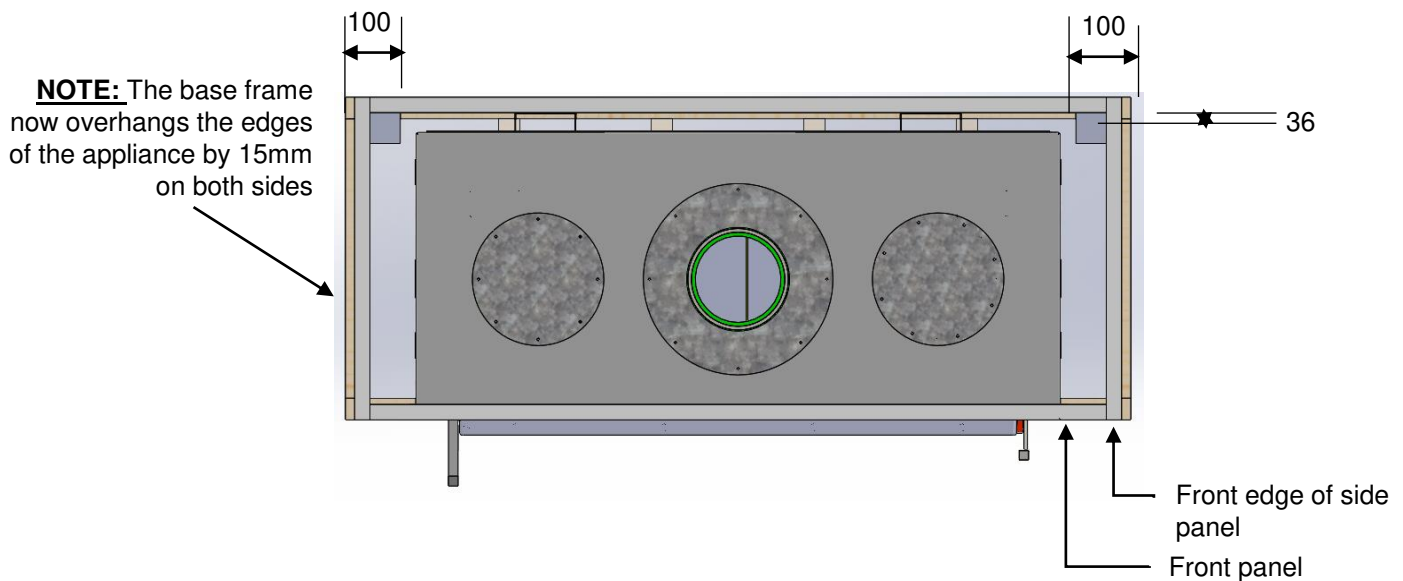
Promafore Ceramic board installation instruction

For Celestial 900 with fan

8. 50x50mm support angles to be fitted to the rear face of the front panel finishing flush to the edge on both the left and right hand sides. It also needs to be flush to the bottom edge of the front panel.
Use high temperature silicone and screws to fix in place.



9. Use high temperature silicone and screws to fix the front panel in place. The front panel must be flush to the front and bottom edges of the side panels when installed.



Promafore Ceramic board installation instruction For Celestial 900 with fan

10. Install 8" to 10" spigot to the fire. Use existing hole on the fire as a guide for positioning. Use Tek screws to attach the spigot assembly to the fire.

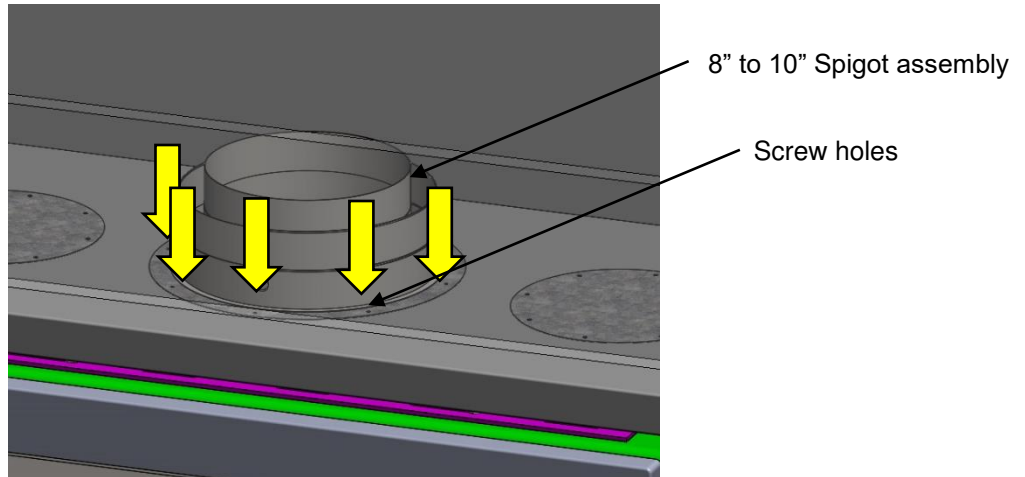
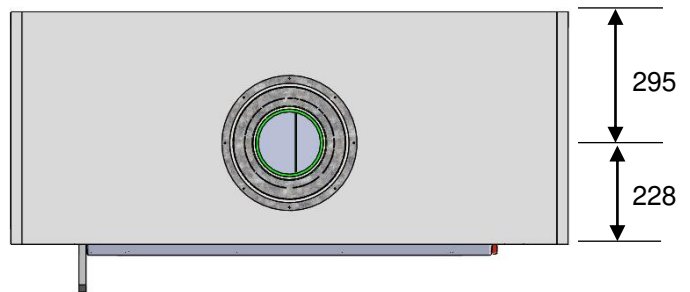
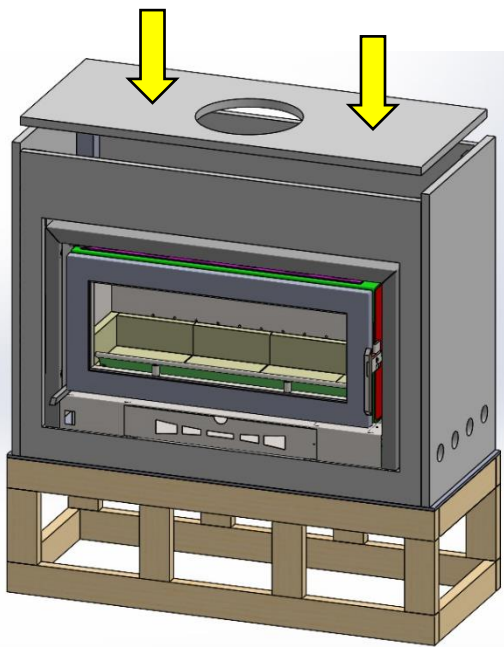


Fig.16 Spigot assembly attachment

11. install the top board, making sure the hole for the flues lines up in the correct position. Fix with high temperature silicone. The top board should be flush to every board in the assembly upon installation.



Promafore Ceramic board installation instruction

For Celestial 900 with fan

12. Timber frame side can now be built to ceiling height allowing a 15mm clearance from side of Promafore ceramic board.

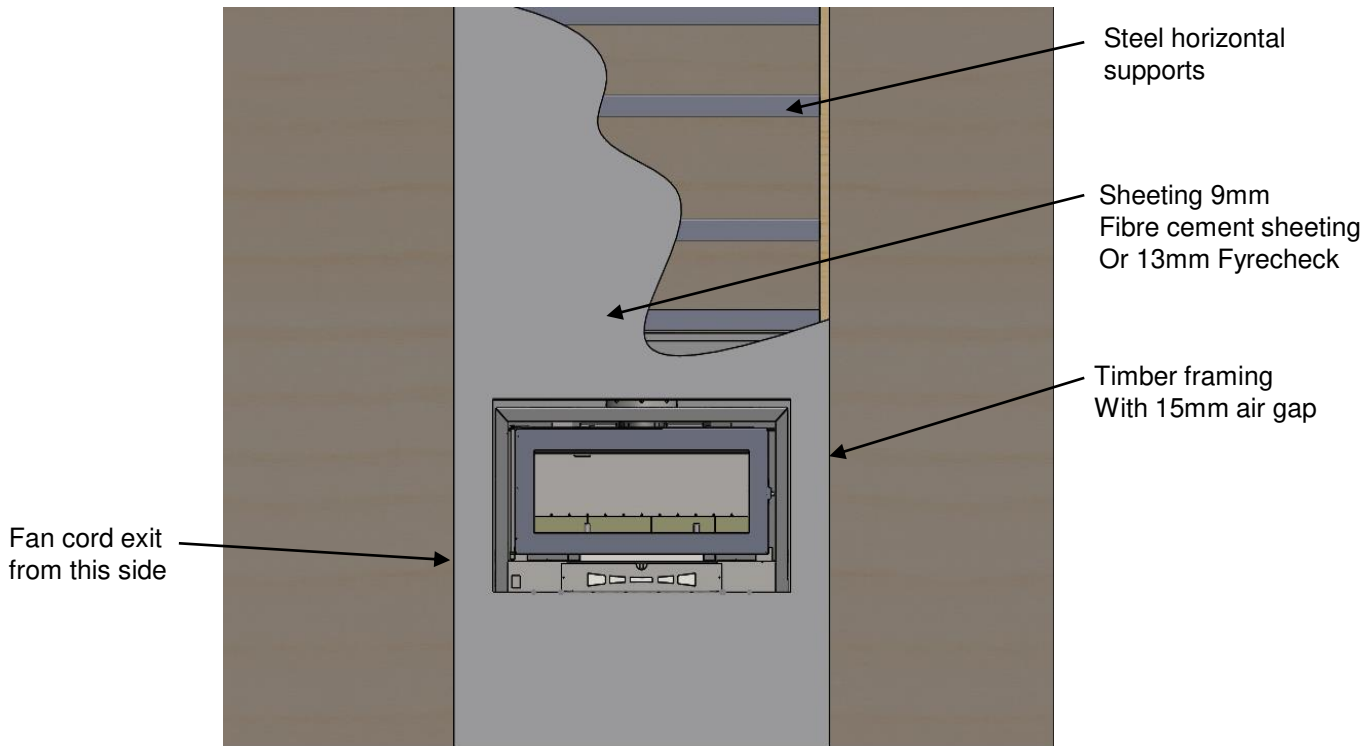
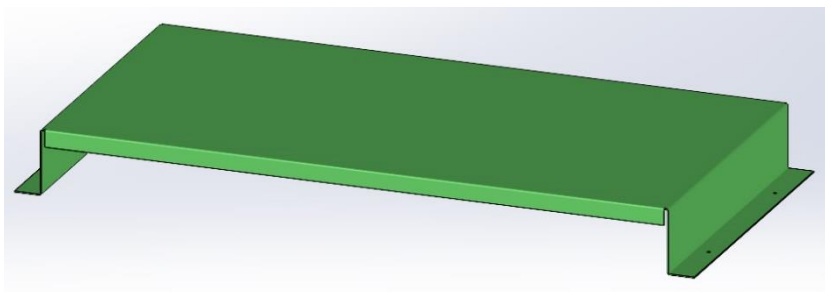
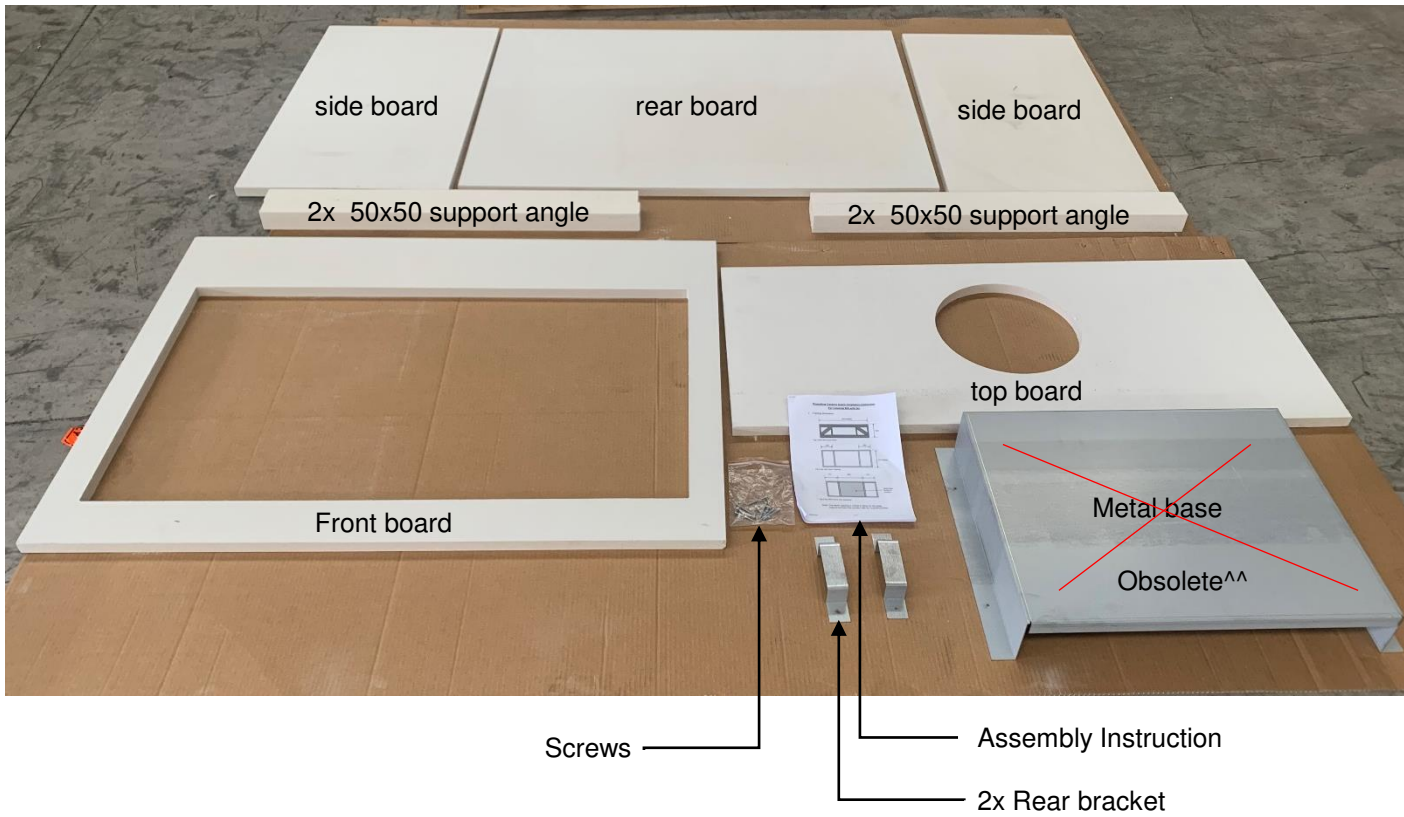


Fig.19 timber frame and sheeting

13. Front face horizontal supports need to be steel and wall lining needs to be fire rated fibre cement sheeting minimum 9mm. Thickness or 13mm Fyrecheck.
14. Side and front sheeting to go over non-com zero clearance box and finish flush with internal width and height of box, the trim will cover the remaining box.

NOTE: make sure electricity is supplied for fan cord to plug into. The fan cord exits from the left hand side of the unit.

Promafore Ceramic board installation instruction
For Celestial 900 with fan



Note: this is the replacement metal base.