



FIREPLACE

CORNER



5X

HEAT & GLO™

BALANCED FLUE GAS FIREPLACE

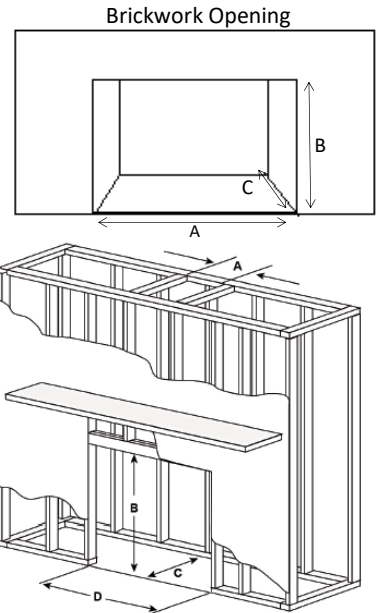
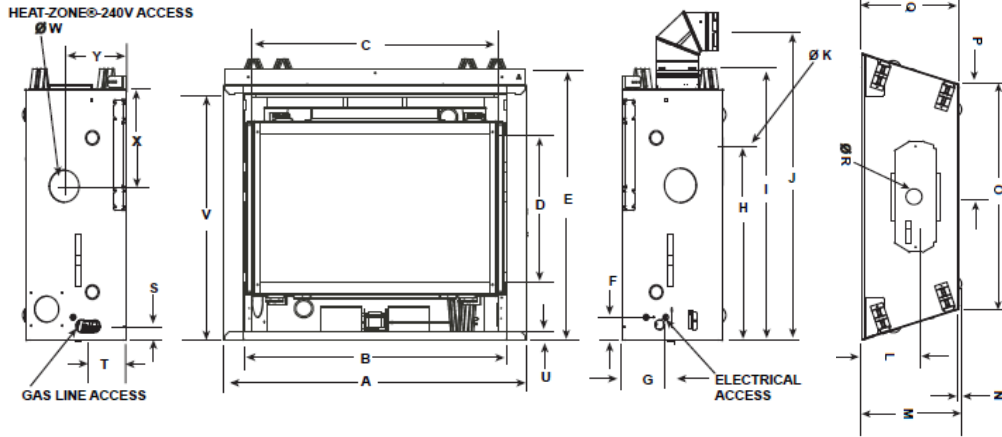
5X BRICK SPECIFICATIONS

UNIT	HEIGHT (B)	WIDTH (A)	DEPTH (C)	GAS	POWER
HEAT & GLO 5X	850	960	450	BOTTOM LHS	BOTTOM RHS

5X FRAMING SPECIFICATIONS

UNIT	HEIGHT ACTUAL	HEIGHT FRAMING (B)	WIDTH ACTUAL	WIDTH FRAMING (D)	DEPTH ACTUAL	DEPTH FRAMING (C)	FLUE FRAMING (A)	MJH INPUT NG / LPG	KWH OUTPUT
5X	873	885	914	940	414	450	SLP 219	28NG / 26LPG	7.7NG / 7.2LPG

NOTE: Crimped/capped-off copper gas line to be provided close to the bottom left hand side within the opening. Single non-switch GPO/413 socket to be provided close to bottom right hand side within opening.



UNIT DIMENSIONS

A	B	C	D	E	F	G	H	I	J	K	L
914	791	691	459	840	90	175	594	873	926	203	224

M	N	O	P	Q	R	S	T	U	V	W	X	Y
414	13	654	327	403	168	56	152	25	764	127	356	232

PLEASE NOTE

Unit must be installed prior to drywall Framework opening is greater than drywall opening

Dimensions shown are in millimetres . Reference dimensions only. We recommend measuring individual units at installation. Assume the use of 10mm plaster. NOTE: combustible material should not be installed over the face. Make sure you do NOT cover the decorative door opening. Refer to installation manual for detailed specifications on installing this product. Heat & Glo reserve the right to update units periodically. The flame and ember appearance may vary based on the type of fuel burned and the venting configuration used. Pictures in this brochure are not the true representation of the fireplace and/or flames.



FEATURES

- Multi-function remote control allows adjustment of flame height, fan speed, and more
- IntelliFire Plus electronic ignition system eliminates the need for a standing pilot
- LED Ember bed lighting
- High definition log media
- Balanced flue technology maintains optimum indoor air quality
- Top or rear venting options provide installation flexibility
- Available in natural gas and LPG
- Zero clearance installation



277 Lord Street Perth, Western Australia 6000

Mon - Fri 9am-5pm, Sat 9am - 1pm

(08) 9228 2600

sales@fireplacecorner.com.au

www.fireplacecorner.com.au

